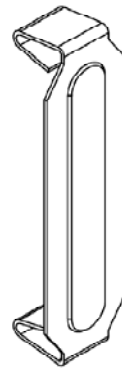
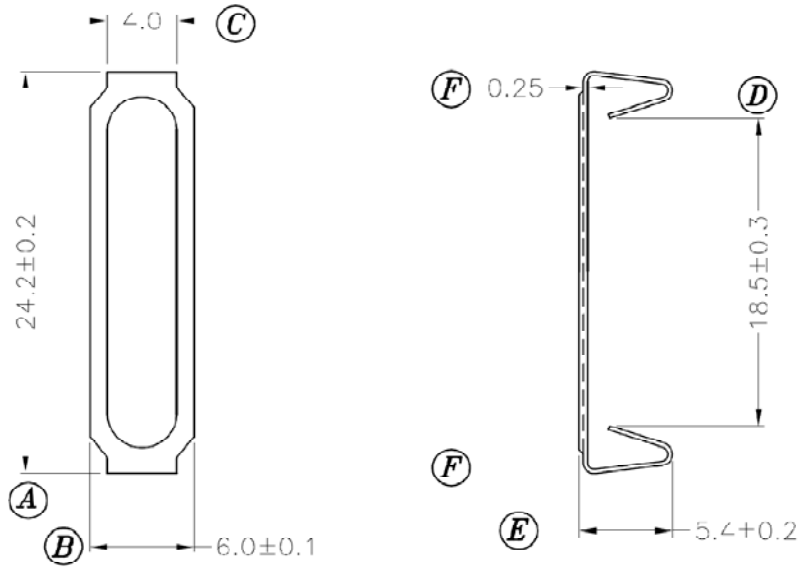


FEFD20-SS-P



Dimensions in mm

Country of Origin: China	RoHS Certified: YES	Drawing Number: FEFD20-SS-P	
MH&W International Corp Phone 201-891-8800 Email: sales@mhw-intl.com		Material: Stainless Steel	Finish: N/A
		Part Number: FEFD20-SS-P	Item ID: C-042