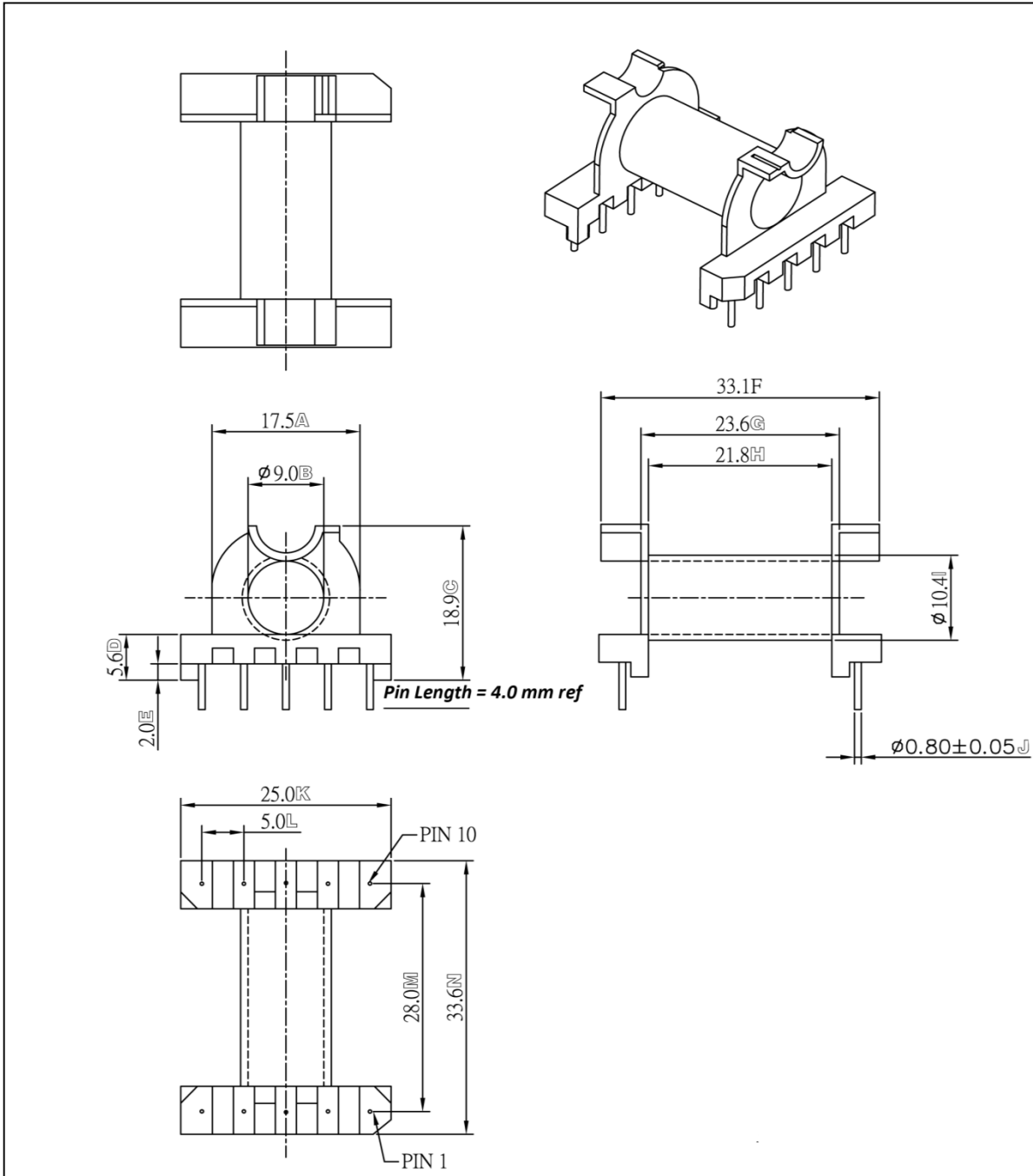


BLP32/13-1110CPH-S-P4.0

Revisions			



Dimensions in mm

Country of Origin: China	RoHS Certified: YES	UL Molder Certification: E149570
Bobbin Material: Chang Chung Plastics T375HF		Drawing Number: BLP32_13-1110CPH-S-P4.0
UL File: E59481	UL Rec: 94-V0	LP-3213-1
Pin Material: Steel Wire (CP)		
MH&W International Corp		Pin Tension: 1.5Kgm min
Phone 201-891-8800 Email: sales@mhw-intl.com		Finish: Sn
Part Number: BLP32/13-1110CPH-S-P4.0		