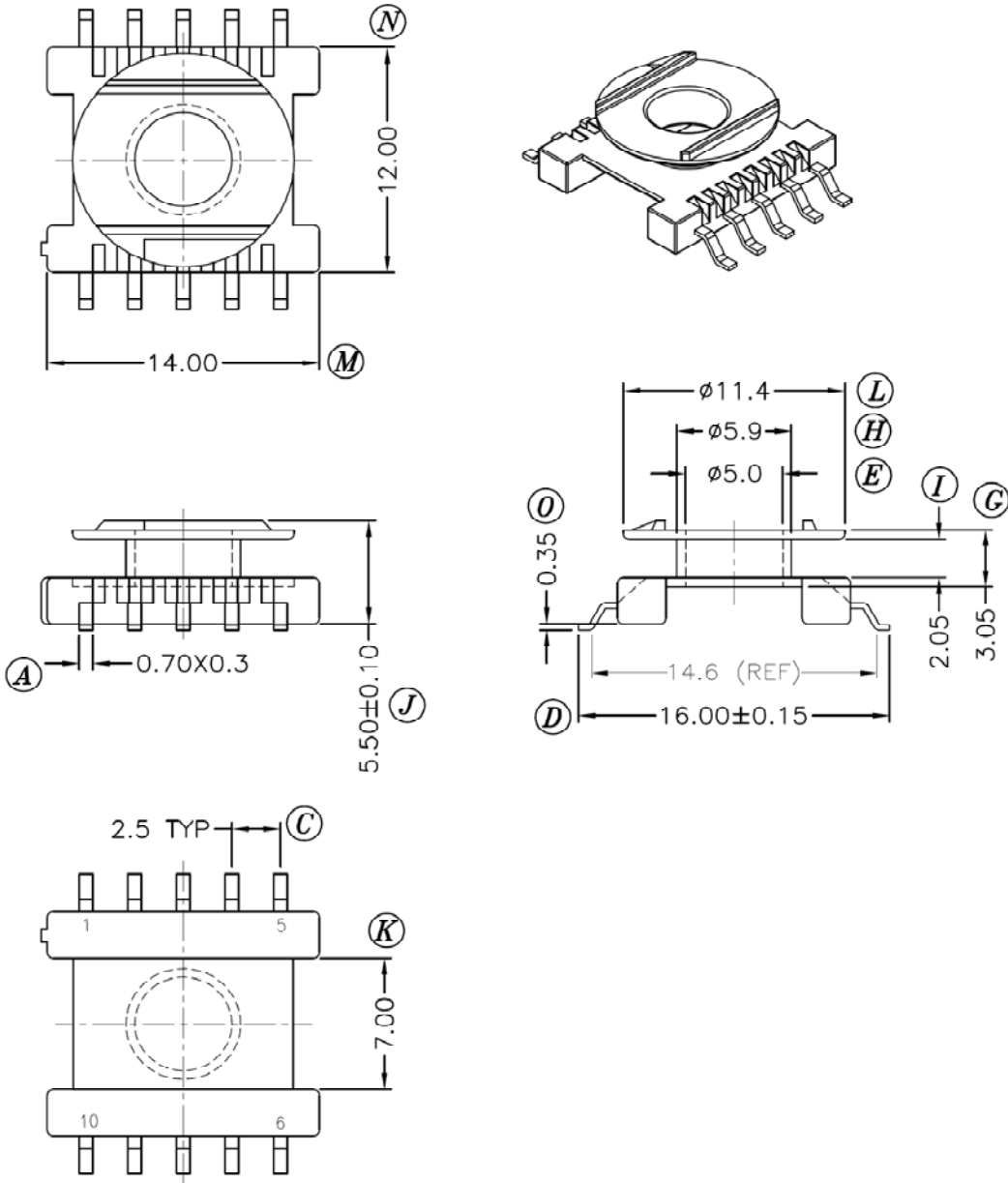
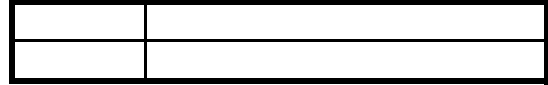


# BER14.5/6-L110GADS-P



Dimensions in mm

Country of Origin: China	RoHS Certified: YES	UL Molder Certification: E163831
Bobbin Material: Sumitomo E4008 (k) (LCP)		Drawing Number: BER14.5_6-L110GADS-P
UL File: E54705	UL Rec: 94-V0	S-1401
Pin Material: Phosphor Bronze (DS)		Pin Tension: 1.5Kgm min
Finish: Tin		Part Number: BER14.5/6-L110GADS-P

**MH&W International Corp**  
 Phone 201-891-8800 Email: sales@mhw-intl.com