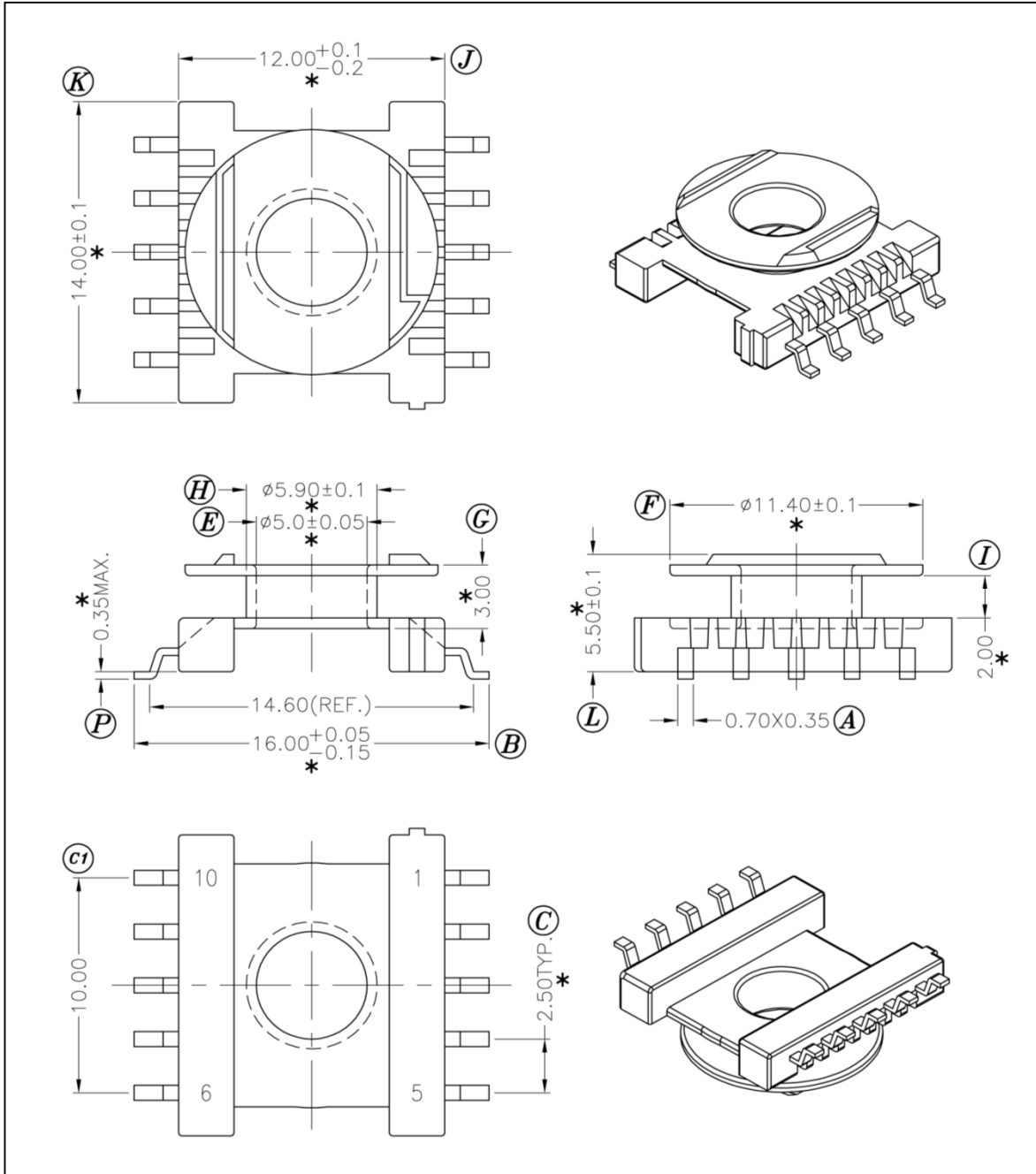


BER14.5/06-1110GADS-P

Revisions	
1	Added country of origin & RoHS
2	Updated manf Part Number



Dimensions in mm

Country of Origin: China	RoHS Certified: YES	UL Molder Certification: E163831
Bobbin Material: Phenolic Sumitomo PM9630	Drawing Number: BER14.5_06-1110GADS-P-2	
UL File: E41429	UL Rec: 94-V0	S-1400-6
Pin Material: Phosphor Bronze (DS)		Pin Tension: 1.0Kgm min
Finish: matte Sn		Part Number: BER14.5/06-1110GADS-P
MH&W International Corp Phone 201-891-8800 Email: sales@mhw-intl.com		