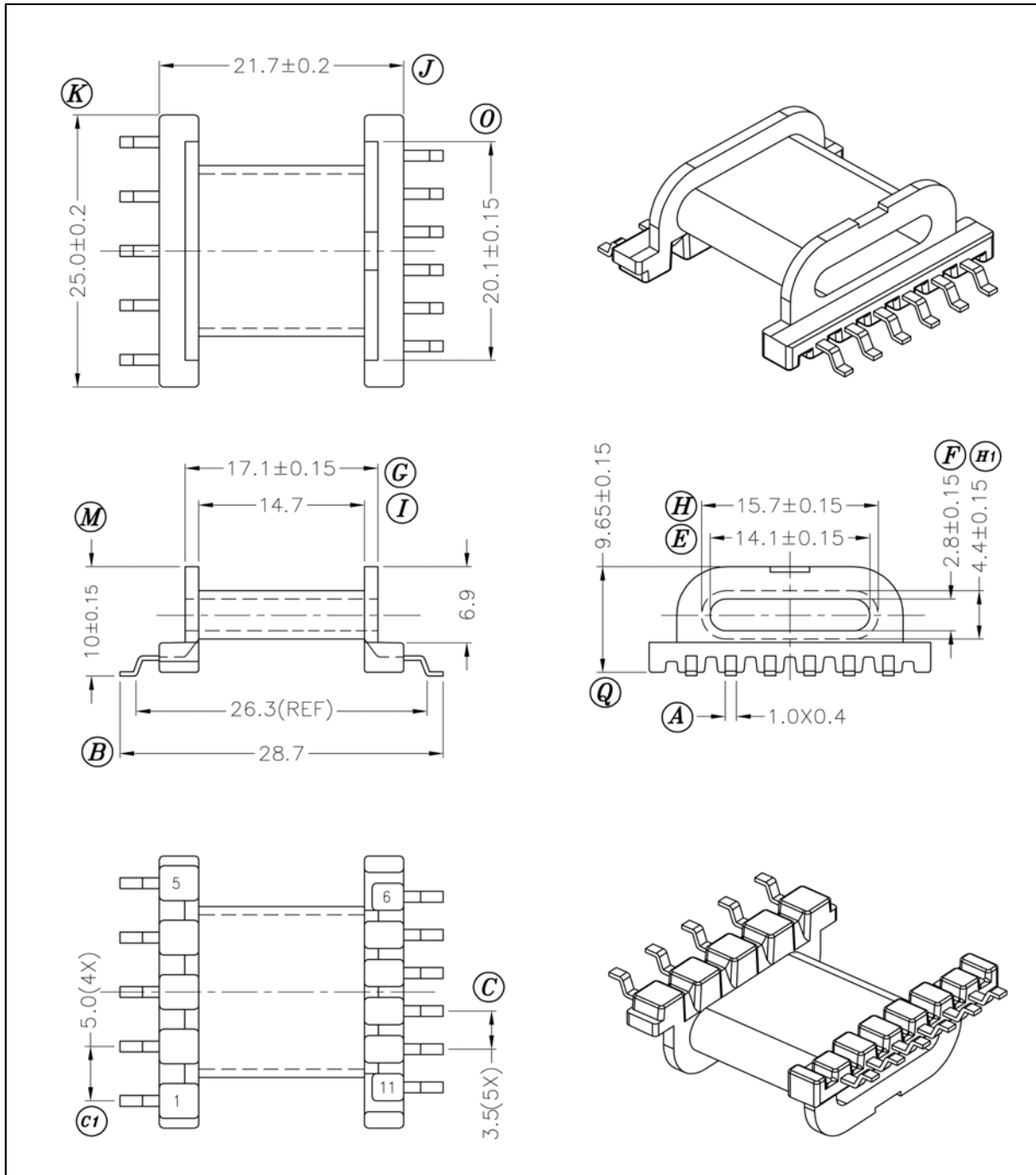


# BEPC25B-1111GADS-P

Revisions	
1	Added country of origin & RoHS



Dimensions in mm

Country of Origin: China	RoHS Certified: YES		
Bobbin Material: Sumitomo PM9630		UL File: E41429	UL Rec: 94-V0
	S-2502	Pin Material: Phosphor Bronze (DS)	
MH&W International Corp		Pin Tension: 1.5Kgm min	Finish: e3 (JEDEC)
201-891-8800	Email: sales@mhw-intl.com	Part Number: BEPC25B-1111GADS-P	