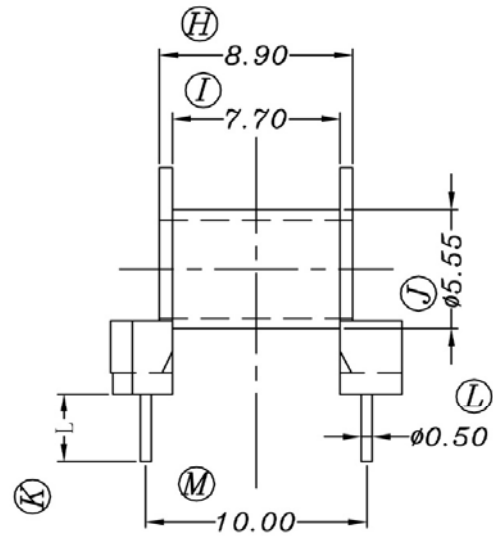
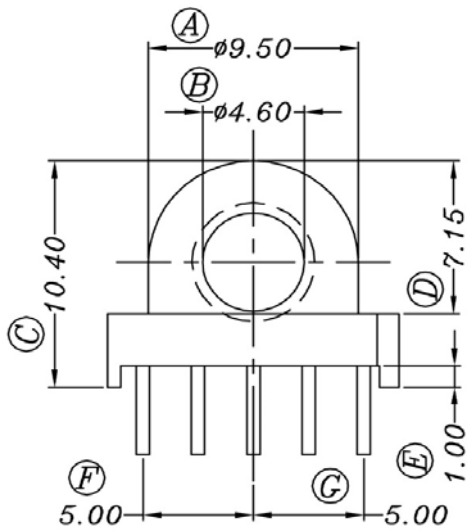
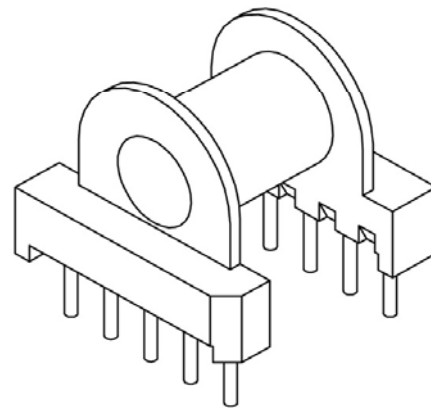
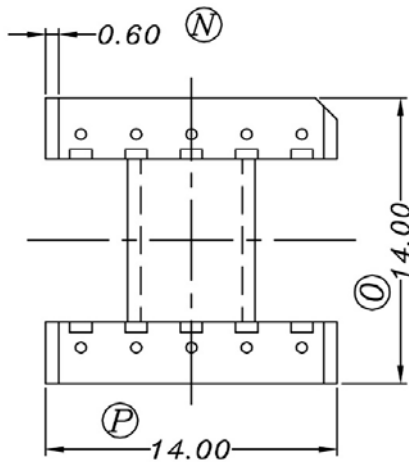


BEP13-1110CP-W-P5.3

Revisions			



L = 5.3 mm
Pin plating = CuSn



Inventory Number: WS-51304-P5.3		Dimensions in mm	
Country of Origin: China	RoHS Certified: YES	UL Molder Certification: E315110	
Bobbin Material: Sumitomo PM9630		Drawing Number: BEP13-1110CP-W-P5.3	
UL File: E41429	UL Rec: 94-V0	Pin Material: Steel Wire (CP)	
MH&W International Corp Phone 201-891-8800 Email: sales@mhw-intl.com		Pin Tension: 1.0Kgm min	Pin Plating: CuSn
		Part Number: BEP13-1110CP-W-P5.3	