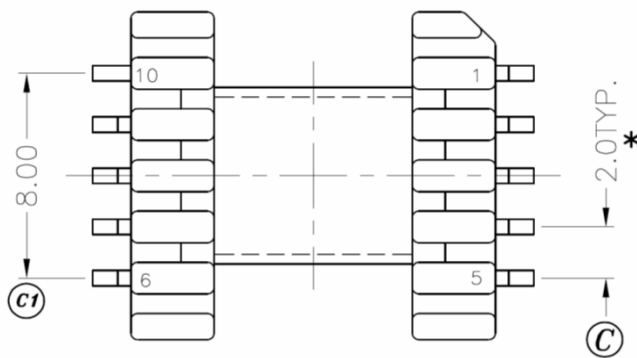
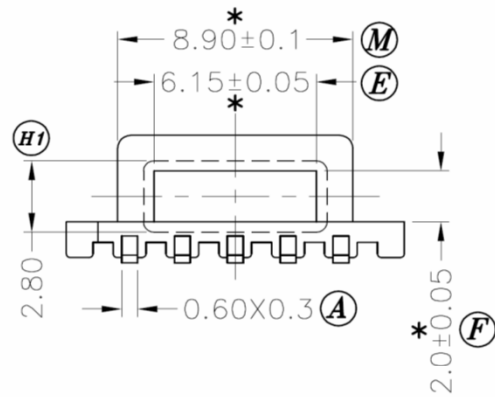
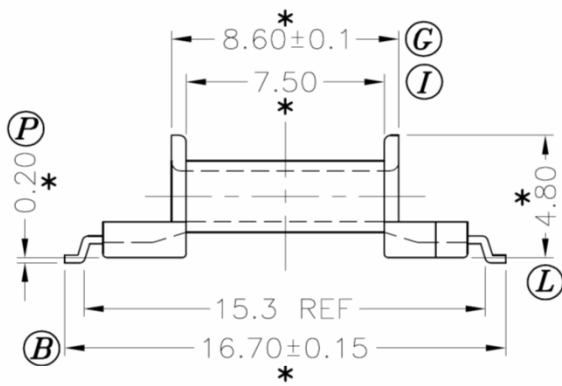
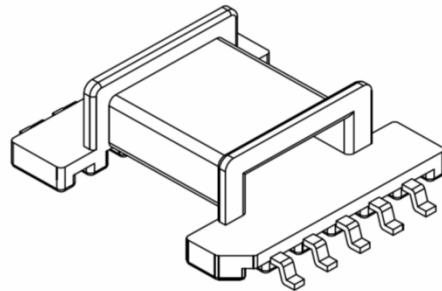
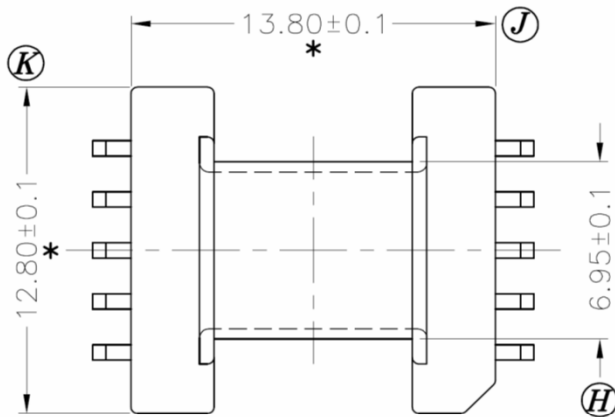


BEM12.7/13.7-L110GADS-P



Dimensions in mm

Country of Origin: China	RoHS Certified: YES	Molder UL Certification: E163831
Bobbin Material: Sumitomo E4008 (k) (LCP)	Drawing Number: BEM12.7_13.7-L110GADS-P	
UL File: E54705	UL Rec: 94-V0	S-1208
Pin Material: Phosphor Bronze (DS)		Pin Tension: 1.0Kgm min
Finish: Sn		Part Number: BEM12.7/13.7-L110GADS-P
MH&W International Corp Phone 201-891-8800 Email: sales@mhw-intl.com		