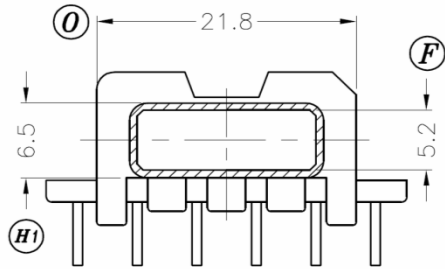
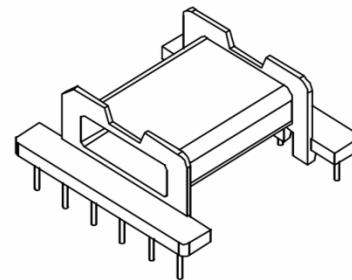
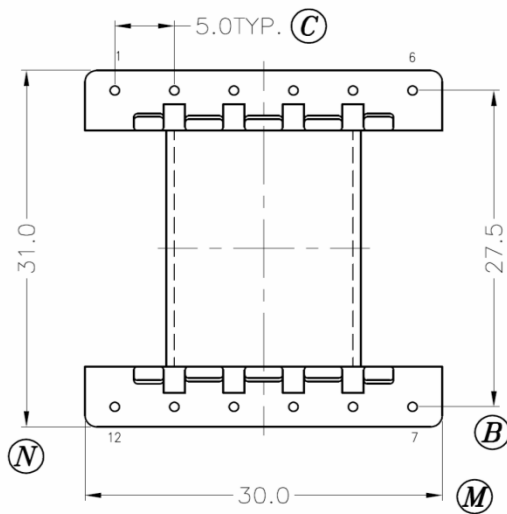
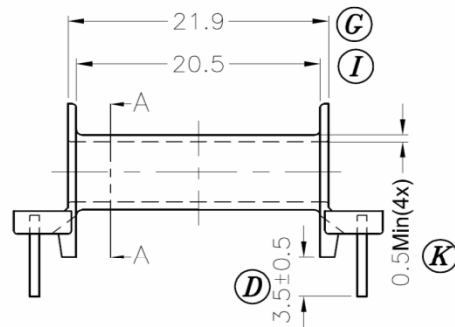
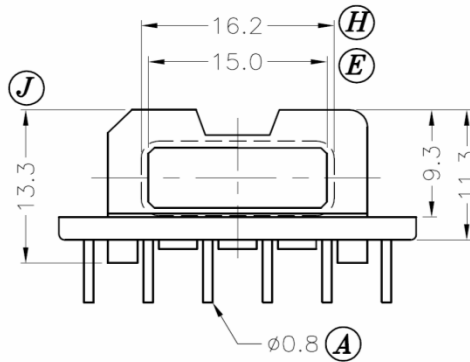


# BEFD30-1112CP-P

SEC. A-A



Dimensions in mm

Country of Origin: China	RoHS Certified: YES	UL Molder Certification: E163831
Bobbin Material: Sumitomo PM9820		Drawing Number: BEFD30-1112CP-P
UL File: E41429	UL Rec: 94-V0	P-3004
Pin Material: Steel Wire (CP)		
Pin Tension: 1.0Kgm min		Finish: Tin
Part Number: BEFD30-1112CP-P		
<b>MH&amp;W International Corp</b> Phone 201-891-8800 Email: sales@mhw-intl.com		