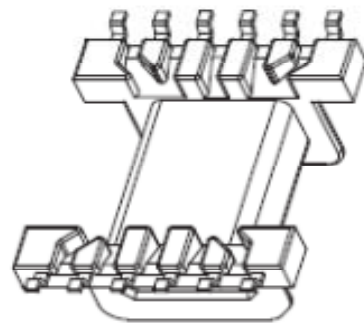
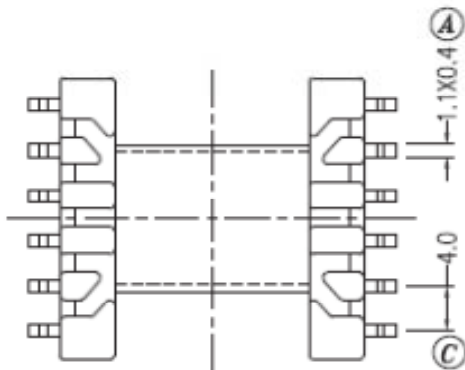
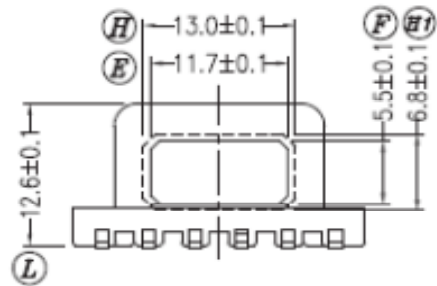
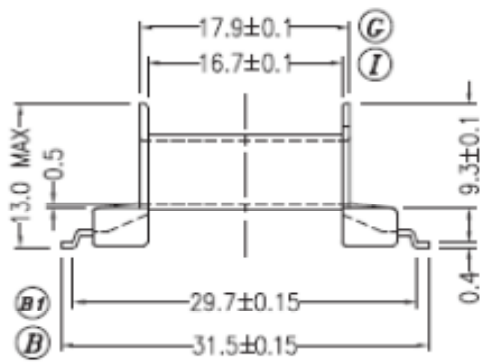
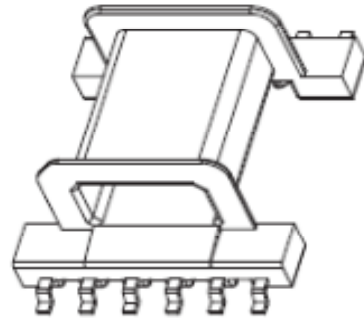
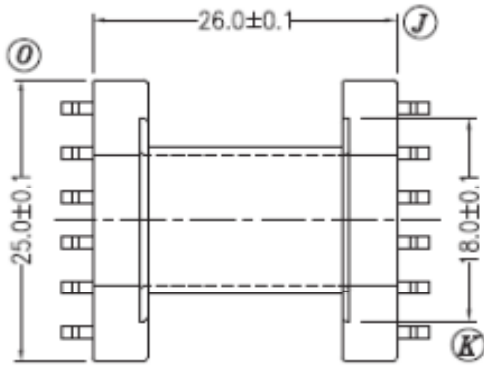


# BEFD25-1112GADS-P

Revisions



Dimensions in mm

Country of Origin: China	RoHS Certified: YES
Bobbin Material: Sumitomo PM9630	
UL File: E41429	UL Rec: 94-V0
	S-2501-1
<b>MH&amp;W International Corp</b>	
Phone 201-891-8800 Email: sales@mhw-intl.com	

Drawing Number: BEFD25-1112GADS-P
Pin Material: PHOSPHER BRONZE (DS)
Pin Tension: 2.0 Kgm min
Finish: TIN
Part Number: BEFD25-1112GADS-P