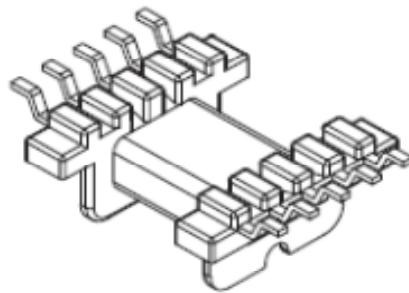
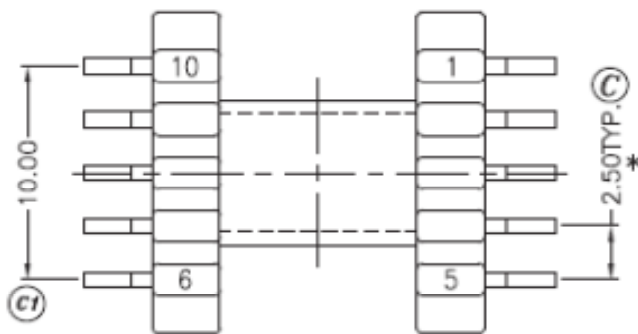
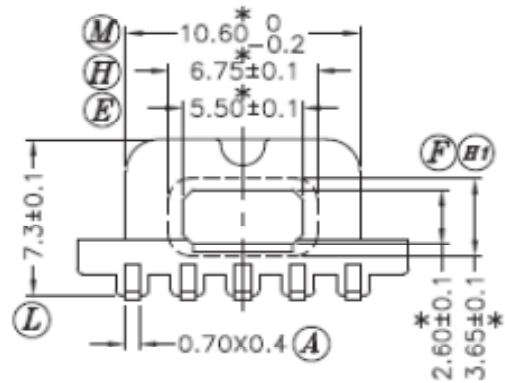
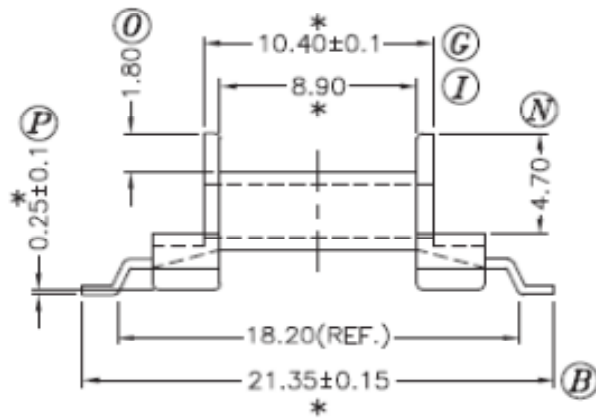
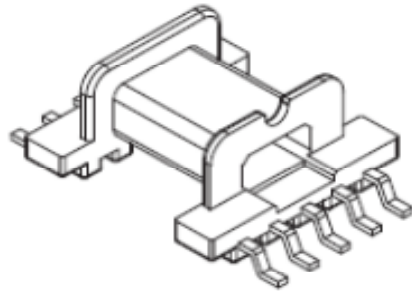
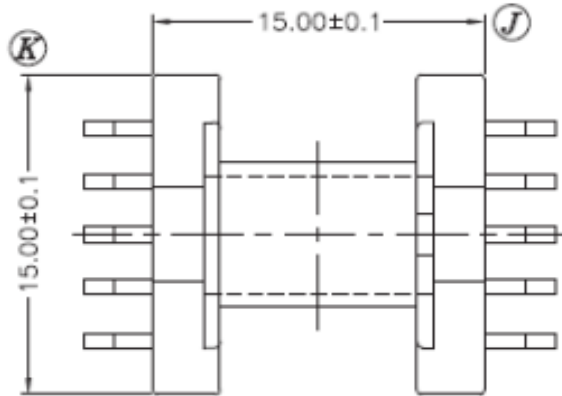


BEFD15-L110GADS-P

--	--



Dimensions in mm

Country of Origin: China | RoHS Certified: YES

Bobbin Material: Sumitomo E4008 (k) (LCP)

UL File: E54705 | UL Rec: 94-V0 | S-1501

MH&W International Corp

Phone 201-891-8800 | Email: sales@mhw-intl.com

Drawing Number: BEFD15-L110GADS-P

Pin Material: Phosphor Bronze (DS)

Pin Tension: 1.5Kgm min | Finish: Tin

Part Number: BEFD15-L110GADS-P