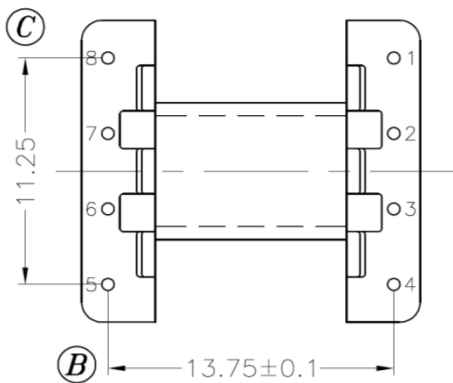
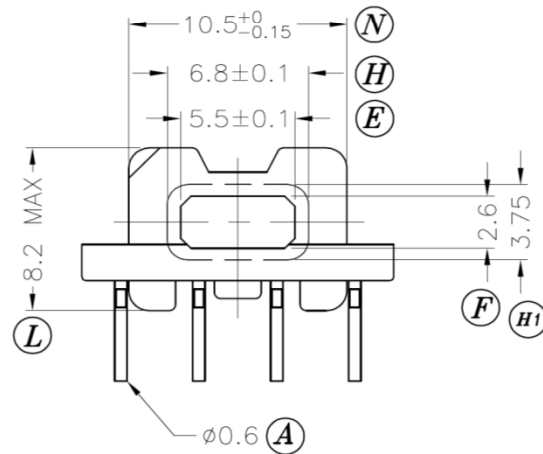
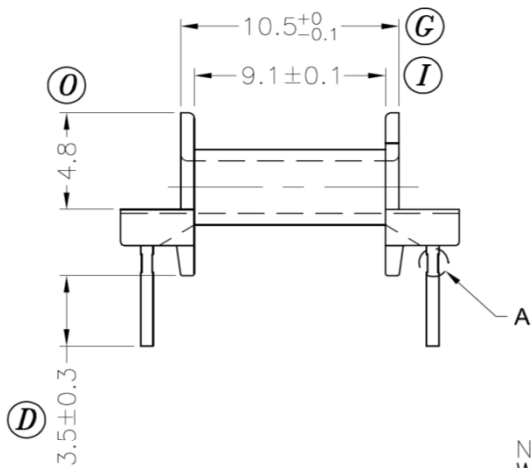
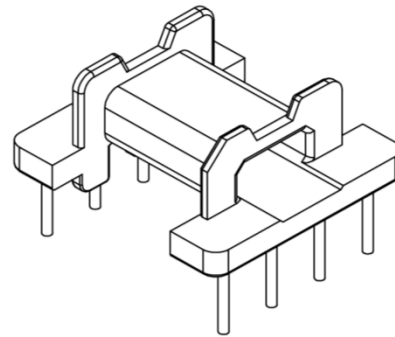
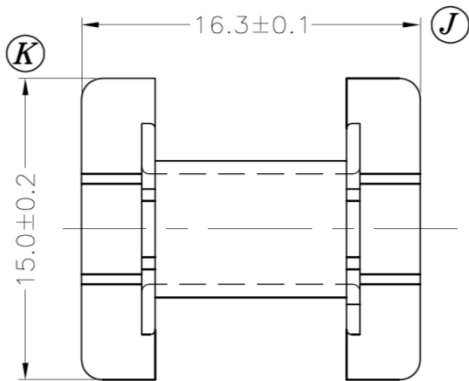
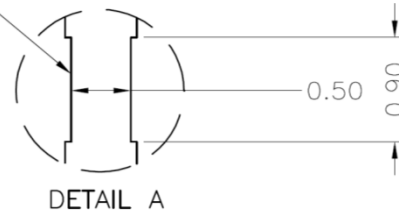


BEFD15-118CP-P



NICK FOR WRAPPING



Dimensions in mm

Country of Origin: China	RoHS Certified: YES	UL Molder Certification: E163831
Bobbin Material: Sumitomo PM9630		Drawing Number: BEFD15-118CP-P
UL File: E41429	UL Rec: 94-V0	P-1505
Pin Material: Steel Wire (CP)		Pin Tension: 0.9Kgm min
Finish: Tin		
Part Number: BEFD15-118CP-P		

MH&W International Corp
 Phone 201-891-8800 Email: sales@mhw-intl.com