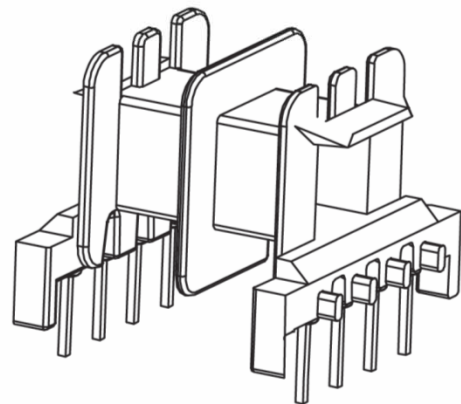
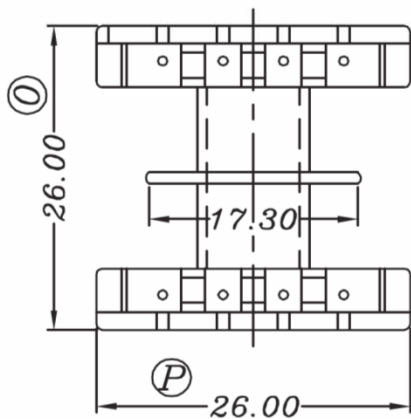
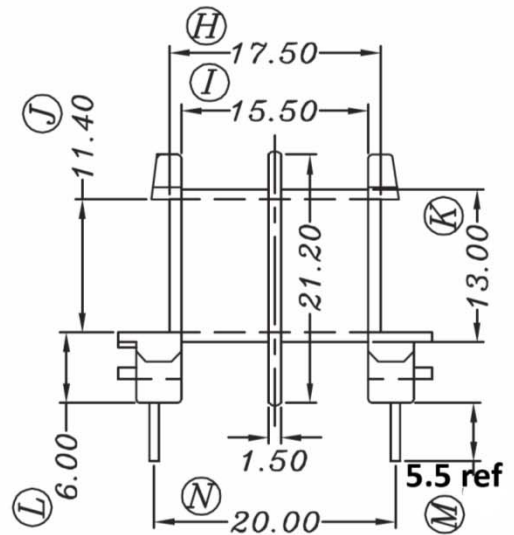
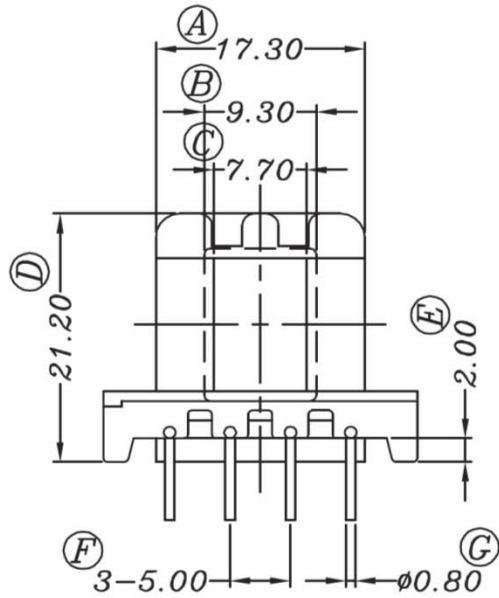


BEF25-128CP-W-P5.5

Revisions	



Dimensions in mm

Country of Origin: China	RoHS Certified: YES	UL Molder Certification: E315110
Bobbin Material: Chang Chun Plastics Phenolic T375HF	UL File: E59481	Drawing Number: BEF25-128CP-W-P5.5
UL Rec: 94-V0	WS-52507-2-P5.5	Pin Material: Steel Wire
MH&W International Corp		Pin Tension: 1.0Kgm min
Phone 201-891-8800 Email: sales@mhw-intl.com		Pin Plating: CuSn (~2%Cu)
Part Number: BEF25-128CP-W-P5.5		