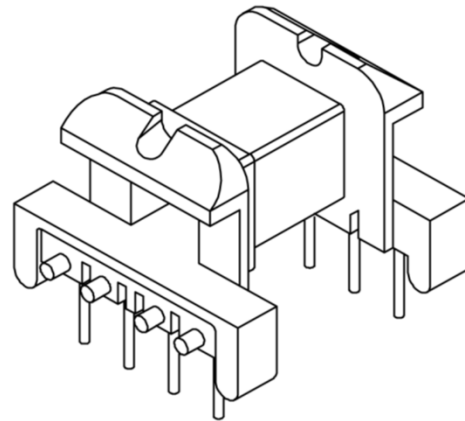
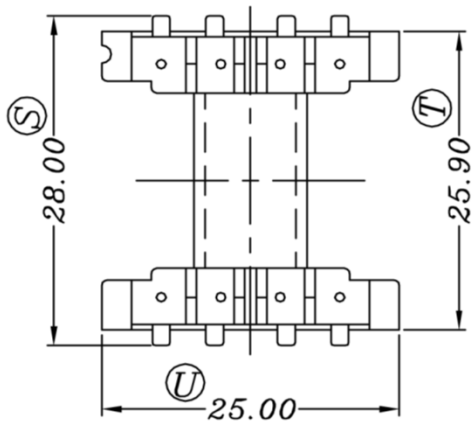
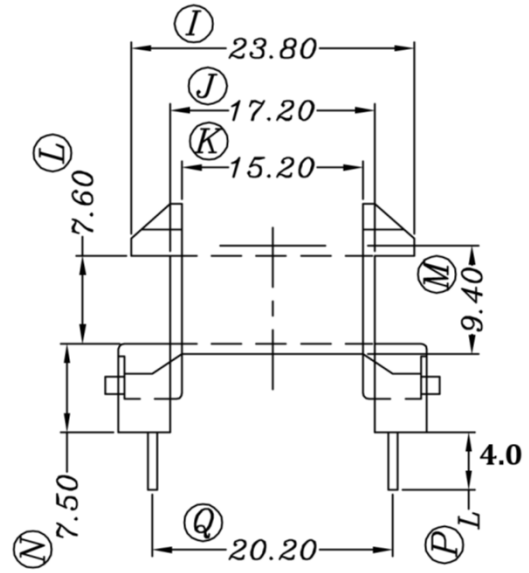
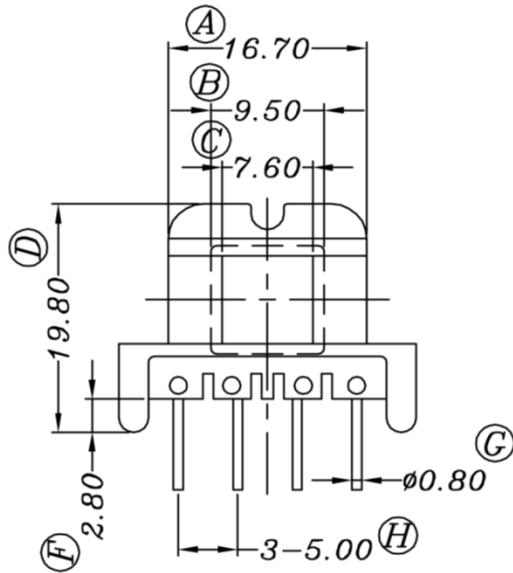


BEF25-118CP-W-P4.0

| Revisions | |
|-----------|--|
| | |



Dimensions in mm

| | | |
|----------------------------------|---------------------|------------------------------------|
| Country of Origin: China | RoHS Certified: YES | UL Molder Certification: E315110 |
| Bobbin Material: Sumitomo T375HF | | Drawing Number: BEF25-118CP-W-P4.0 |
| UL File: E41429 | UL Rec: 94-V0 | WS-52504-W-P4.0 |
| Pin Material: Steel Wire | | Pin Tension: 1.0Kgm min |
| Pin Plating: CuSn (~2%Cu) | | |
| Part Number: BEF25-118CP-W-P4.0 | | |

MH&W International Corp
 Phone 201-891-8800 Email: sales@mhw-intl.com