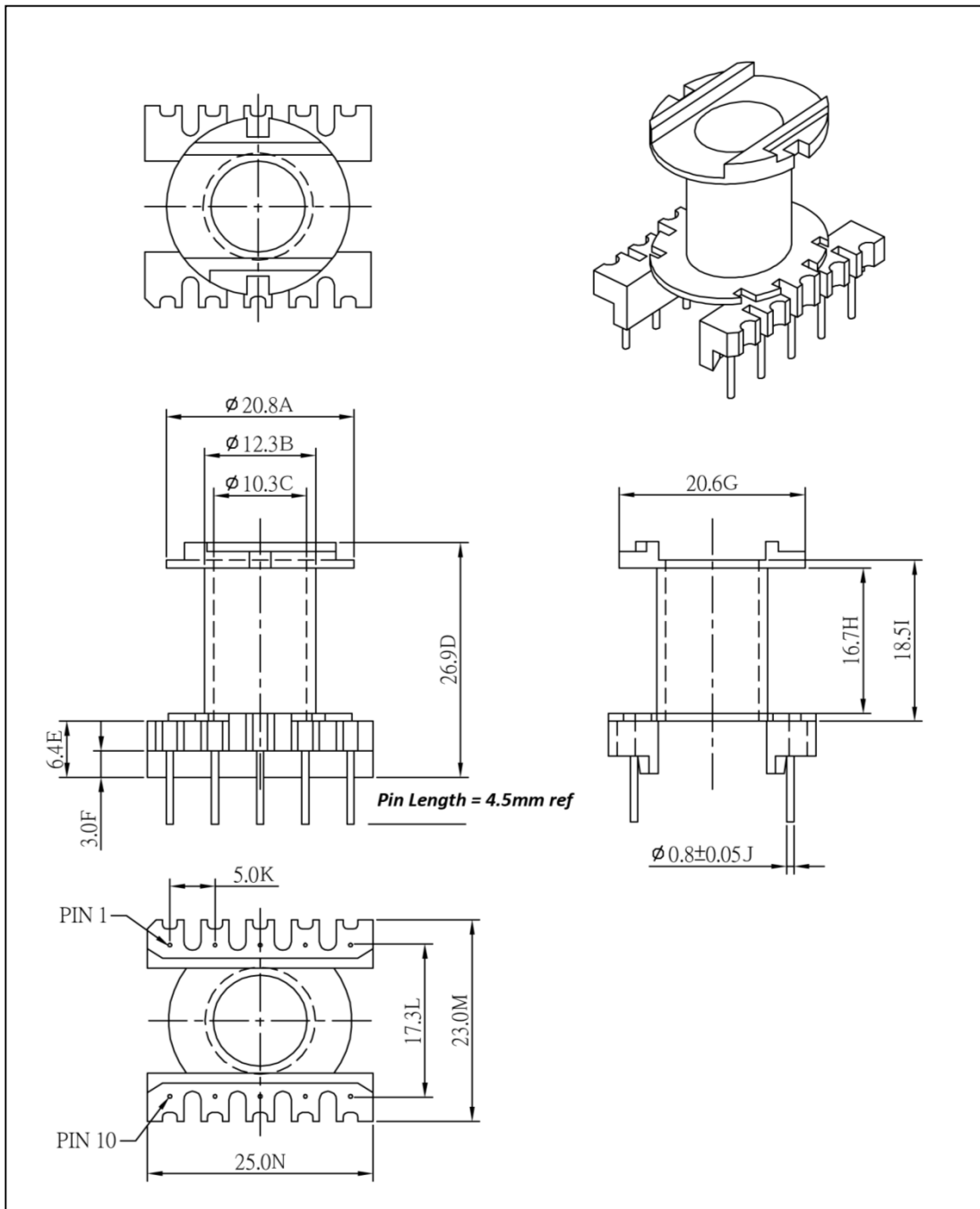
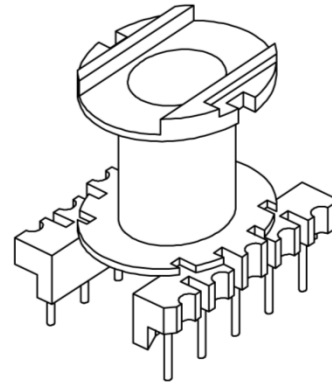


BEER28-1110CP-S-P4.5

Revisions



Dimensions in mm

Country of Origin: China	RoHS Certified: YES	UL Molder Certification: E149570
Bobbin Material: Chang Chung Plastics T375HF		Drawing Number: BEER28-1110CP-S-P4.5
UL File: E59481	UL Rec: 94-V0	TF-2805
Pin Material: Steel Wire (CP)		Pin Tension: 1.5Kgm min
Finish: Sn		Part Number: BEER28-1110CP-S-P4.5
MH&W International Corp Phone 201-891-8800 Email: sales@mhw-intl.com		