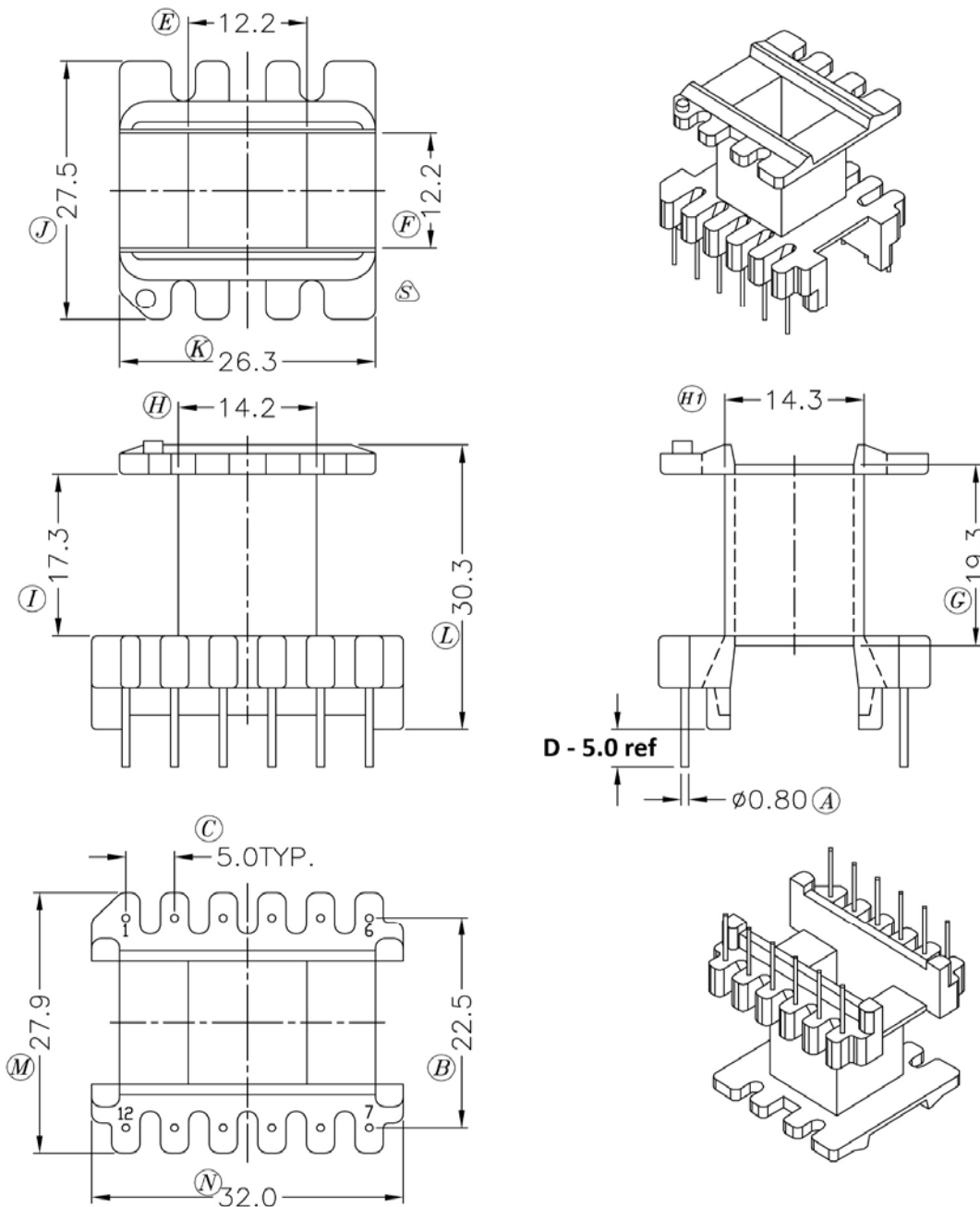


BE 40-1112CPN-P-P5.0

Revisions			



Dimensions in mm

Country of Origin: China	RoHS Certified: YES	UL Molder Certification: E163831
Bobbin Material: Sumitomo Plastics Phenolic PM9820		Drawing Number: BE 40-1112CPN-P-P5.0
UL File: E41429	UL Rec: 94-V0	P-4001-P5.0
Pin Material: Steel Wire (CP)		Pin Tension: 2.0Kgm min
Finish: Sn		Part Number: BE 40-1112CPN-P-P5.0
MH&W International Corp Phone 201-891-8800 Email: sales@mhw-intl.com		