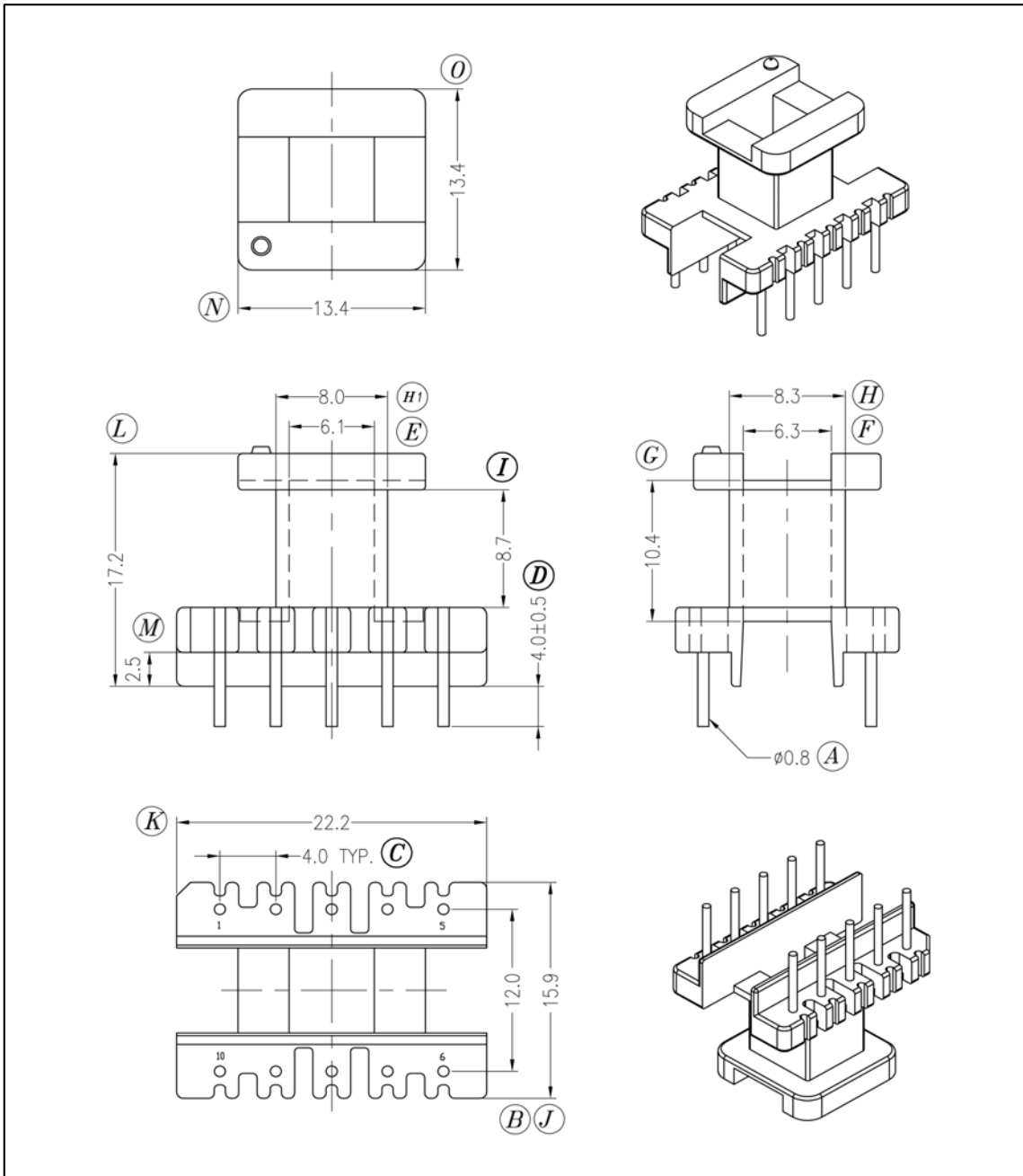


BE 22-1110CP-P

Revisions	
1	Added country of origin & RoHS
2	Corrected Bobbin Material



Dimensions in mm

Country of Origin: China		RoHS Certified: YES	
Bobbin Material: Chang Chun Plastics T375J		Drawing Number: BE 22-1110CP-P-2	
UL File: E59481	UL Rec: 94-V0	P-2202-3	Pin Material: Steel Wire (CP)
MH&W International Corp Phone 201-891-8800 Email: sales@mhw-intl.com		Pin Tension: 1.0Kgm min	Finish: e3 (JEDEC)
		Part Number: BE 22-1110CP-P	