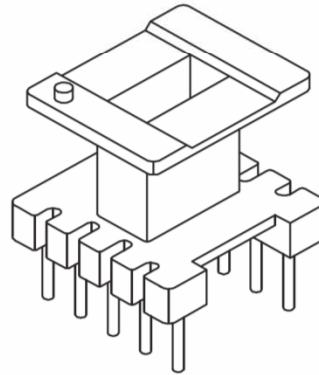
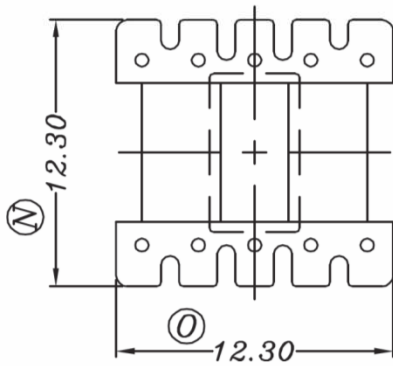
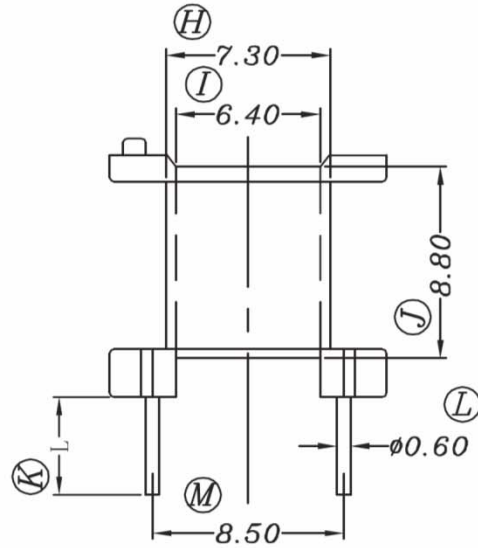
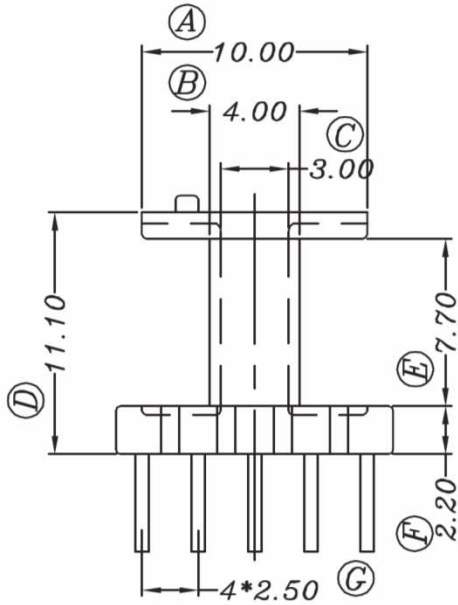


BE 13 1110CP-W-P3.7

Revisions	



Dimensions in mm

Country of Origin: China	RoHS Certified: YES	UL Molder Certification: E315110
Bobbin Material: Sumitomo PM9820		Drawing Number: BE 13 1110CP-W-P3.7
UL File: E41429	UL Rec: 94-V0	PY-1302-W-P3.7
Pin Material: Steel Wire		Pin Tension: 1.0Kgm min
Pin Plating: CuSn (~2%Cu)		
Part Number: BE 13 1110CP-W-P3.7		

MH&W International Corp
 Phone 201-891-8800 Email: sales@mhw-intl.com