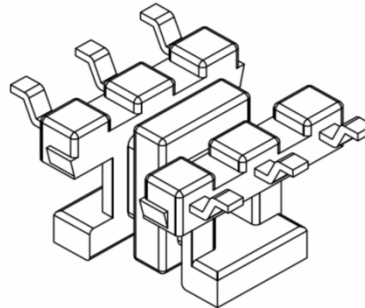
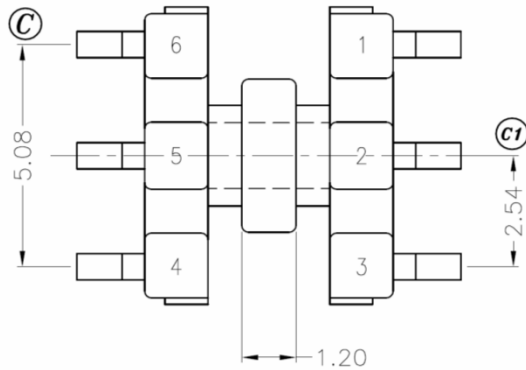
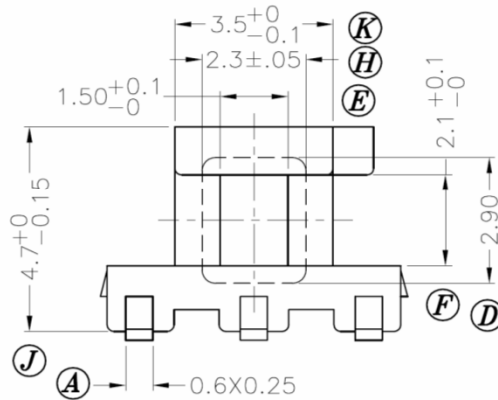
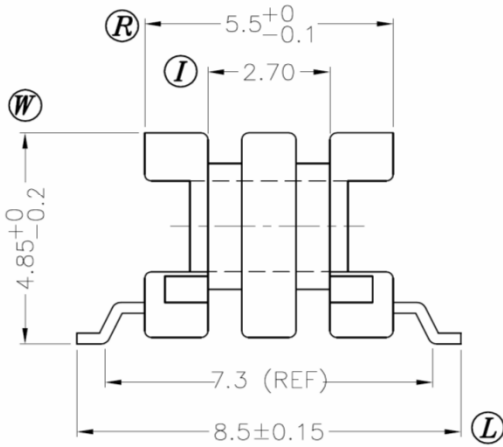
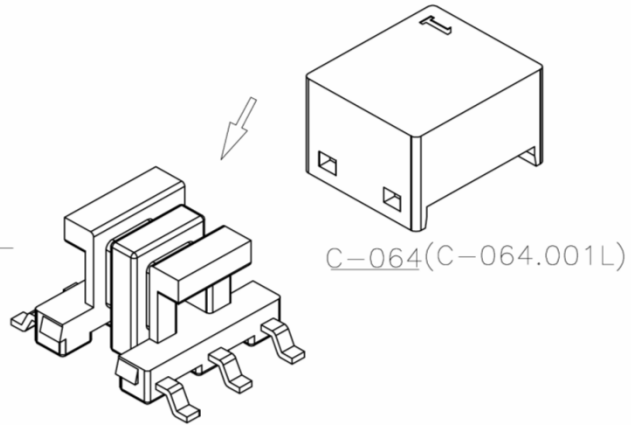
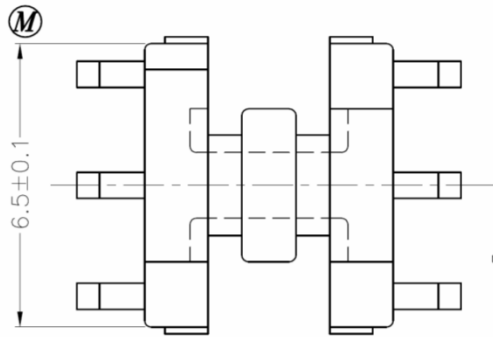


BE 06.3-L26GADS-P



Dimensions in mm

Country of Origin: China	RoHS Certified: YES	UL Molder Certification: E163831
Bobbin Material: Sumitomo E4008 (k) (LCP)		Drawing Number: BE 06.3-L26GADS-P
UL File: E54705	UL Rec: 94-V0	S-605
MH&W International Corp		Finish: Sn
Phone 201-891-8800 Email: sales@mhw-intl.com		Part Number: BE 06.3-L26GADS-P