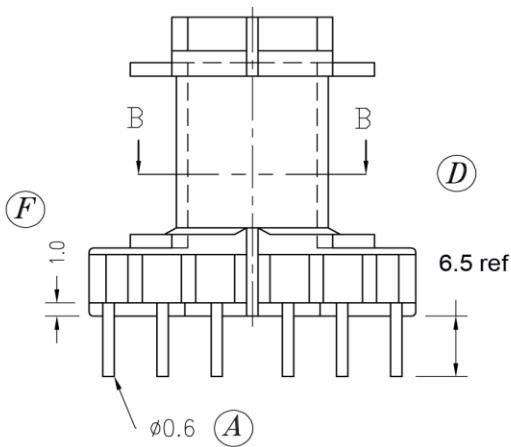
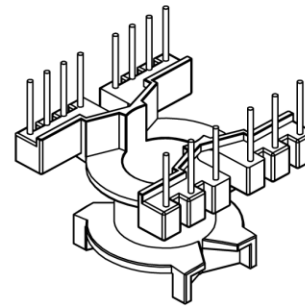


(H)

(E)

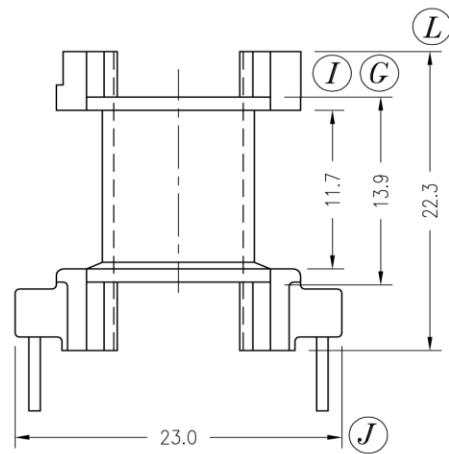
(N)



(D)

(F)

(A)



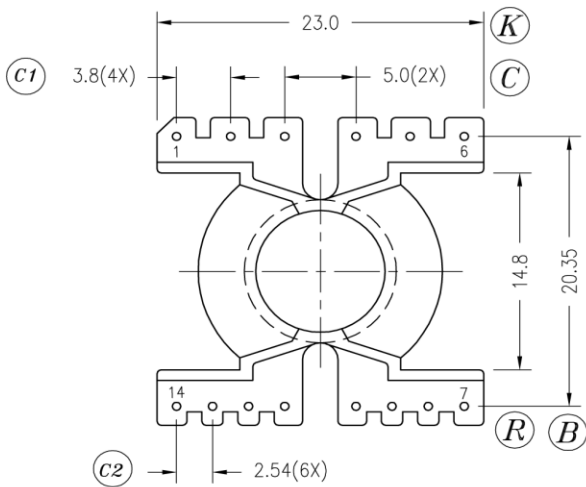
(L)

(G)

(I)

(J)

23.0



(K)

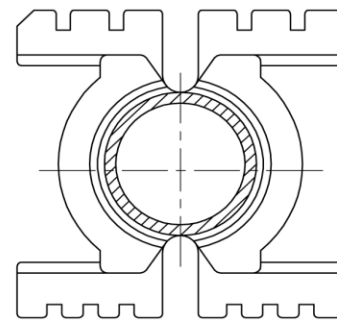
(C)

(C1)

(C2)

(R)

(B)



SEC. B-B

Bobbin Material: Sumitomo PM9820

UL File: E41429

UL Rec: 94-V0

Pin Material: Steel Wire (CP)

MH&W International Corp

Phone

Pin Tension: 1.0Kgm min

Finish: e3 (JEDEC)

201-891-8800 Email: sales@mhw-intl.com

Part Number: BPQ20/20-1114CP-P6.5