

Ferrite for Switching Power Supplies

Toroidal cores

T series

Issue date: February 2010

- All specifications are subject to change without notice.
 - Conformity to RoHS Directive: This means that, in conformity with EU Directive 2002/95/EC, lead, cadmium, mercury, hexavalent chromium, and specific bromine-based flame retardants, PBB and PBDE, have not been used, except for exempted applications.
-

Ferrite for Switching Power Supplies

Toroidal Cores

TDK's toroidal cores are available in a number of sizes. Therefore, by selecting the ferrite material which corresponds to the application, it is possible to design stable transformers, inductors, etc. to cover a wide band range.

FEATURES

- Selection of core material to correspond to the application is possible as a result of standard ferrite materials with $\mu=5500$ to 10000.
- Epoxy and paraxylylene insulation coating is available.

APPLICATIONS

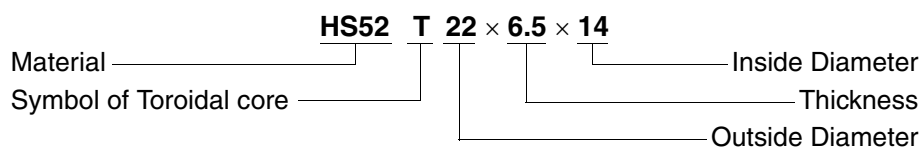
Choke coils, filters, current sensors, EMI/RFI filters, balun transformers.

T14 to T44.5

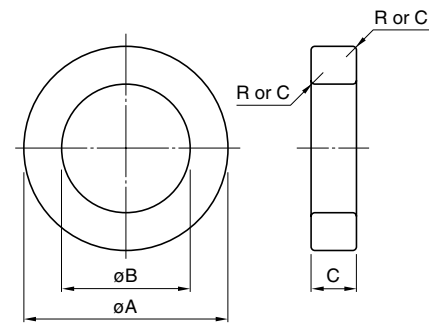
Material: HS52, HS72, HS10, HS12



Ordering Code System



T CORES



Part No.	JIS C 2569	Dimensions in mm			Effective parameter	
		ϕA	ϕB	C	C_1 (mm^{-1})	A_e (mm^2)
T14×7×8		14.0±0.3	8.0±0.3	7.0±0.3	1.60	20.5
T16×8×12		16.0±0.3	12.0±0.3	8.0±0.3	2.73	15.9
T18×10×10	FOR-18-10-10	18.0±0.3	10.0±0.3	10.0±0.3	1.07	38.9
T20×10×12	FOR-20-10-12	20.0±0.4	12.0±0.4	10.0±0.3	1.23	39.1
T22×6.5×14		22.0±0.4	14.0±0.4	6.5±0.3	2.14	25.6
T25×13×15		25.0±0.4	15.0±0.4	13.0±0.3	0.946	63.6
T28×13×16	FOR-28-13-16	28.0±0.4	16.0±0.4	13.0±0.3	0.864	76.0
T31×8×19		31.0±0.5	19.0±0.5	8.0±0.3	1.60	47.1
T38×14×22		38.0±0.5	22.0±0.5	14.0±0.4	0.821	109
T44.5×13×30	FOR-45-13-30	44.5±0.5	30.0±0.5	13.0±0.4	1.23	93

Part No.	Effective parameter			AL-value (nH/N ²)				Weight (g)
	ℓ_e (mm)	V_e (mm ³)	R or C	Material				
				HS52*	HS72**	HS10***	HS12	
T14×7×8	32.8	671	C0.5	3800±25%	5100±25%	6800±30%	—	3.4
T16×8×12	43.4	689	C0.3	2500±25%	3400±25%	4500±30%	5100±30%	3.4
T18×10×10	41.5	1610	C0.5	6400±25%	8800±25%	10150±30%	13400±30%	8.3
T20×10×12	48.1	1880	C0.5	5600±25%	7600±25%	10000±30%	11900±30%	9.5
T22×6.5×14	54.7	1400	C0.5	3200±25%	4400±25%	5750±30%	—	6.9
T25×13×15	60.2	3830	C1.0	7300±25%	9900±25%	13000±30%	—	19
T28×13×16	65.6	4990	C0.5	8000±25%	10700±25%	14200±30%	—	26
T31×8×19	75.5	3550	C1.0	4300±25%	5800±25%	7700±30%	8700±30%	17
T38×14×22	89.7	9800	C1.0	8400±25%	10700±25%	—	—	50
T44.5×13×30	114	10600	C0.5	5600±25%	7100±25%	—	—	53

* AL-value: 100kHz, 100mV, 10Ts

** AL-value: 100kHz, 10mV, 5Ts

*** AL-value: 10kHz, 10mV, 10Ts

Can be coated with epoxy. If epoxy-coated products are desired, please suffix E to part No. when ordering.

Ex. HS52 T22 × 6.5 × 12E*

Outer diameter(ϕA)

10mm min.(T10): Epoxy coating

8mm max.(T8): Paraxylylene coating

* Dielectric breakdown voltage 1000Vd.c. min.

• All specifications are subject to change without notice.