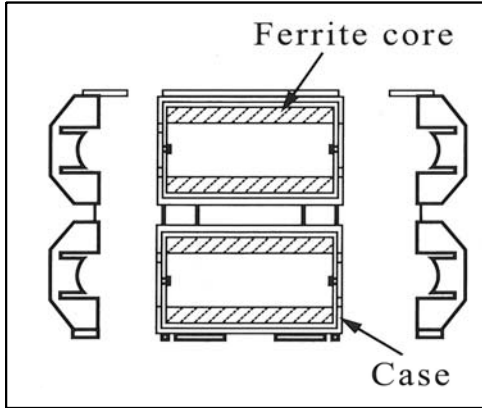
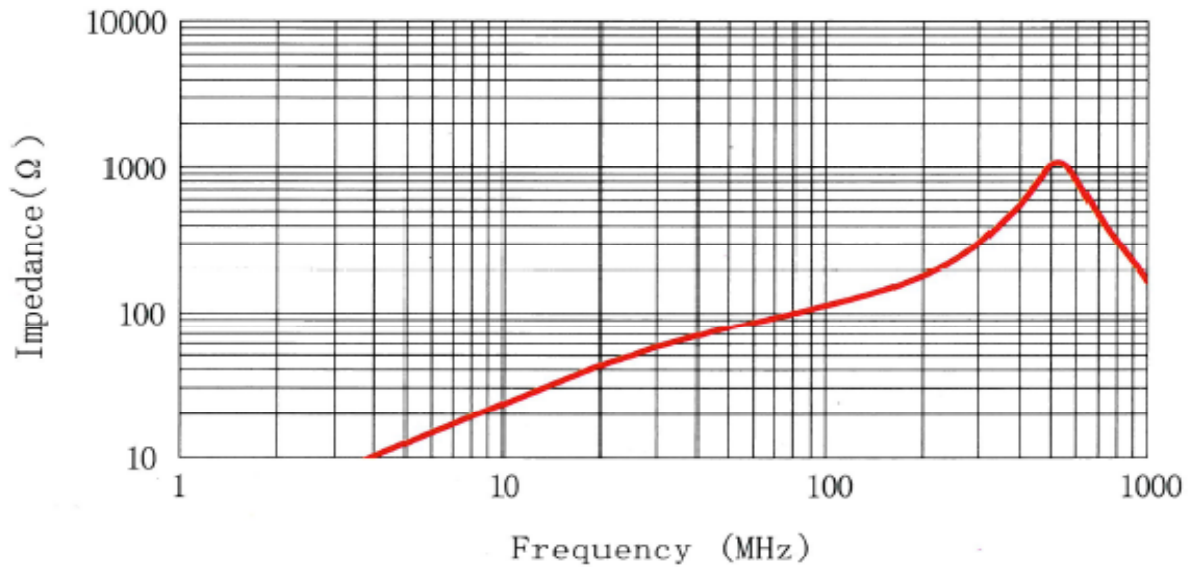
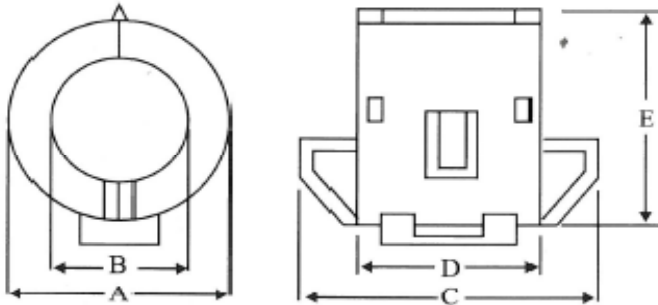


## BNF Series EMI Clamp-on Cable Filter

### BNF-1010 Cable Filter



A (max)	25.5	mm
	1.004	in
B (min)	9.5	mm
	0.374	in
C (max)	21	mm
	0.827	in
D (max)	14.5	mm
	0.571	in
E (min)	27.5	mm
	1.083	in
Cable Diameter (max)	9.5	mm
	0.374	in
10 MHz	15	$\Omega$
25 MHz	35	$\Omega$
100 MHz	75	$\Omega$



Distributed By

**MH&W International Corp**

14 Leighton Place, Mahwah, NJ 07430

Phone: 201-891-8800 - Toll Free: 866-MHW-CORE

Email: [salesm@mhw-intl.com](mailto:salesm@mhw-intl.com) WEB: [www.mhw-intl.com](http://www.mhw-intl.com)