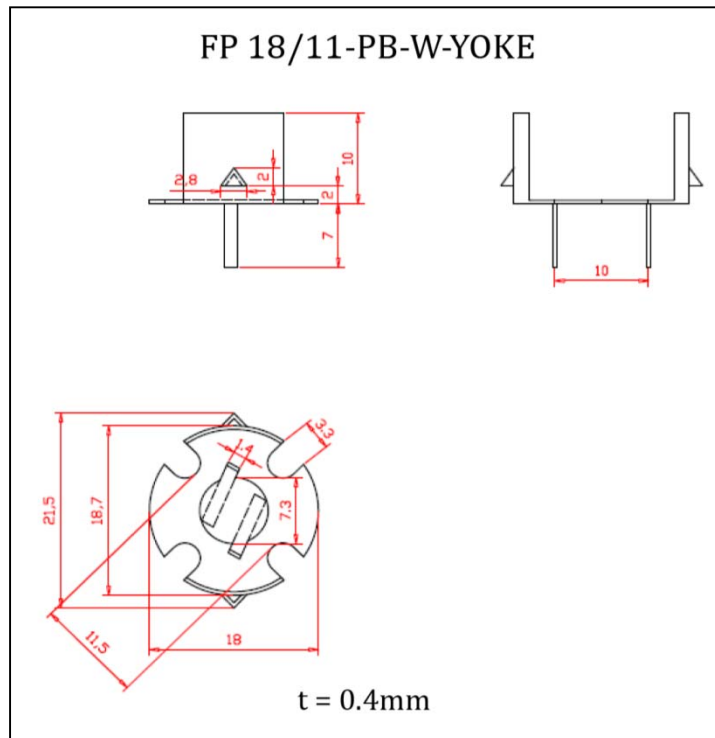
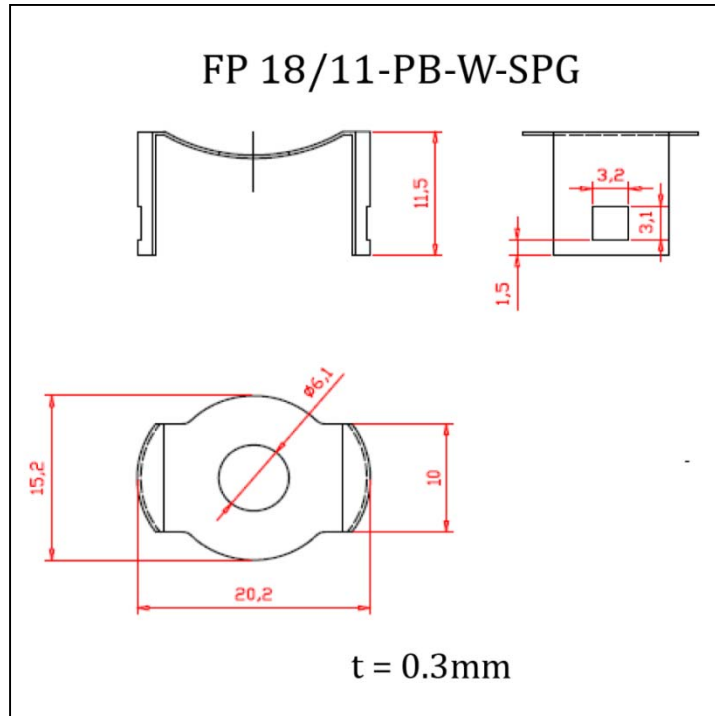


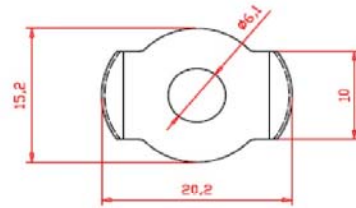
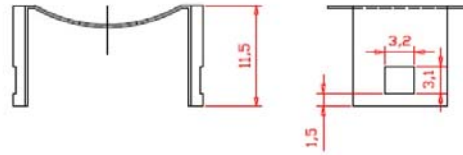
FP 18/11-PB-W



Use with Ferrite IEC Standard Pot Core P18/11

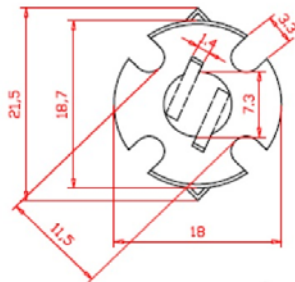
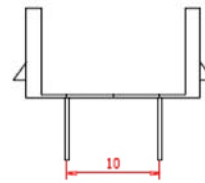
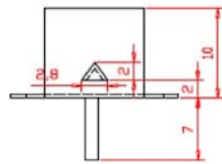
Dimension in mm

Country of Origin: China	RoHS Certified: YES	UL Molder Certification: E315110
Clip Material: PHOSPHOR BRONZE C5191	Drawing Number: BP 18_11-PB-W	
WS-6FP1811-B : FP 18/11-PB-W-SPG	WS-6FP1811-B1 : FP 18/11-PB-W-YOKE	
MH&W International Corp Phone 201-891-8800 Email: sales@mhw-intl.com	Plating: 4-12 μm Ni Barrier / matte Sn Plating	
	Part Number: BP 18/11-PB-W	



FP 18/11-PB-W-SPG

t = 0.3mm



FP 18/11-PB-W-YOKE

t = 0.4mm

—