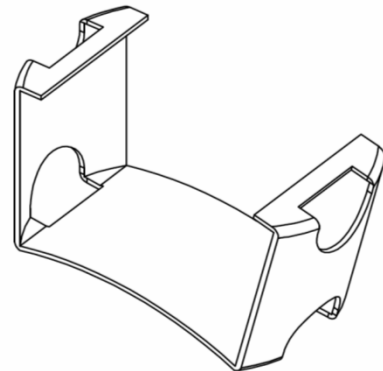
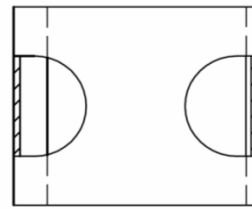
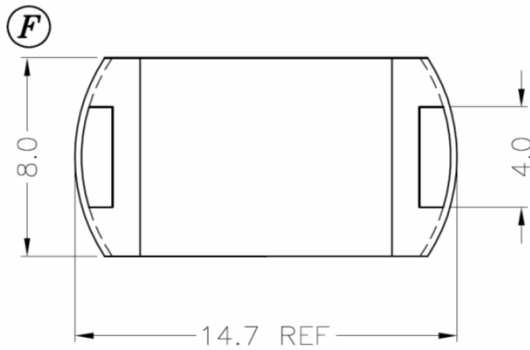
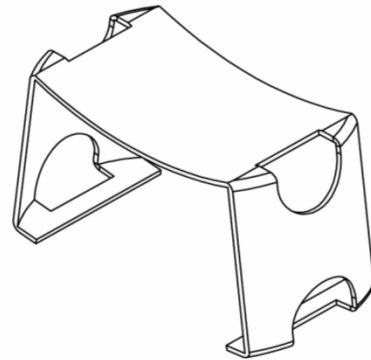
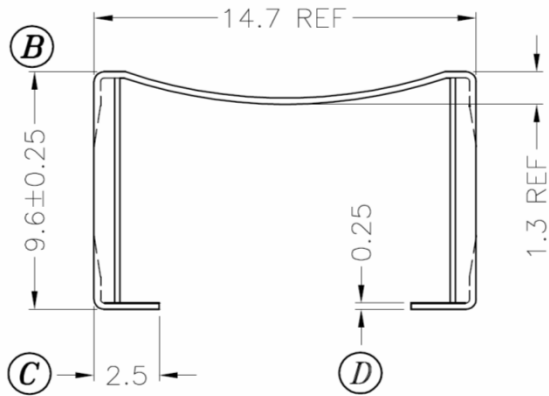


FP 14/08-SK7-P



Dimensions in mm

UL Molder Certification: E163831

Country of Origin: China

RoHS Certified: YES

Drawing Number: FP 14_08-SK7-P

MH&W International Corp

Material: Tool Steel SK7

Finish: Tin

Phone 201-891-8800 Email: sales@mhw-intl.com

Part Number: FP 14/08-SK7-P

Item ID: C-066