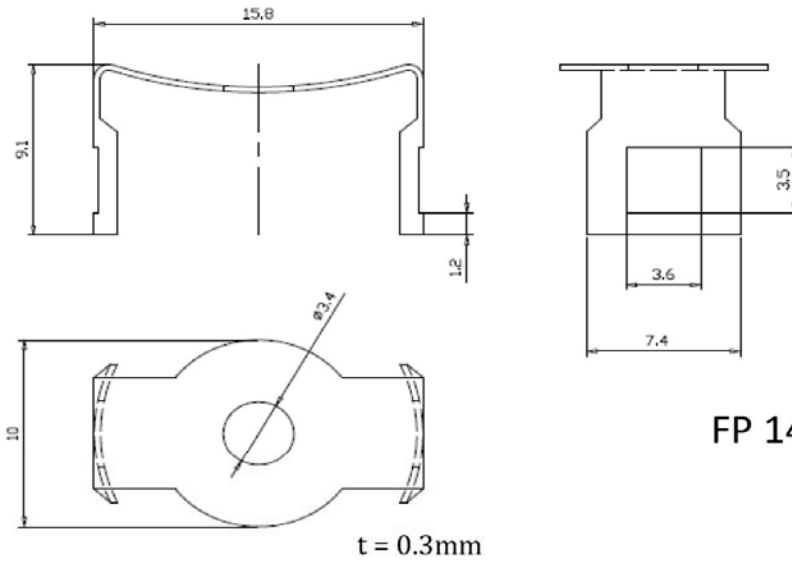
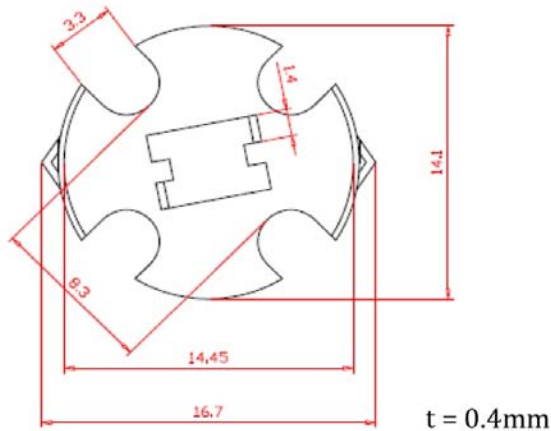
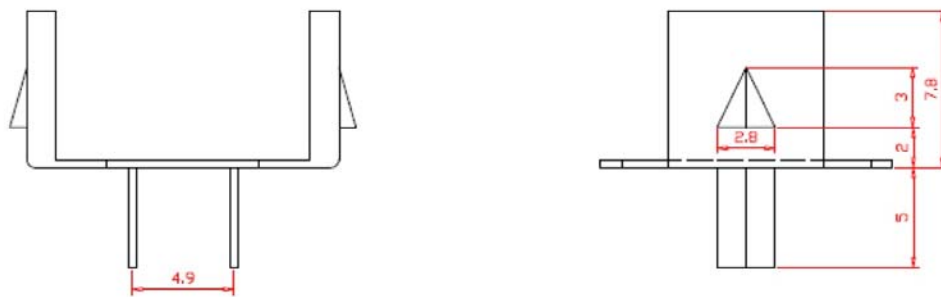


# FP 14/08-PB-W



FP 14/08-PB-W-SPG



FP 14/08-PB-W-YOKE

Use with Ferrite IEC Standard Pot Core P14/8

Dimension in mm

Country of Origin: China	RoHS Certified: YES	UL Molder Certification: E315110
Clip Material: PHOSPHOR BRONZE C5191		Drawing Number: BP 14_08-PB-W
WS-6FP1408-B : FP 14/08-PB-W-SPG		WS-6FP1408-B1 : FP 14/08-PB-W-YOKE
MH&W International Corp		Plating: 4-12 μm Ni Barrier / matte Sn Plating
Phone 201-891-8800 Email: sales@mhw-intl.com		Part Number: BP 14/08-PB-W