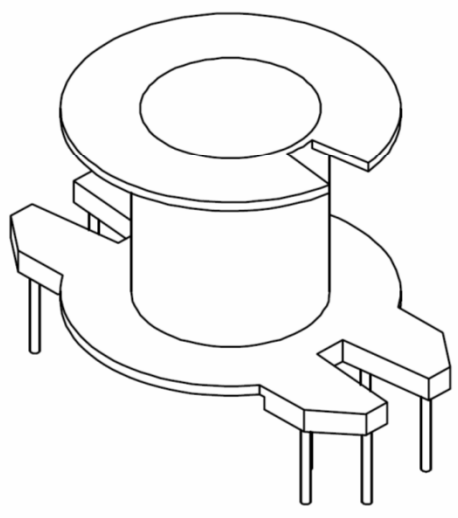
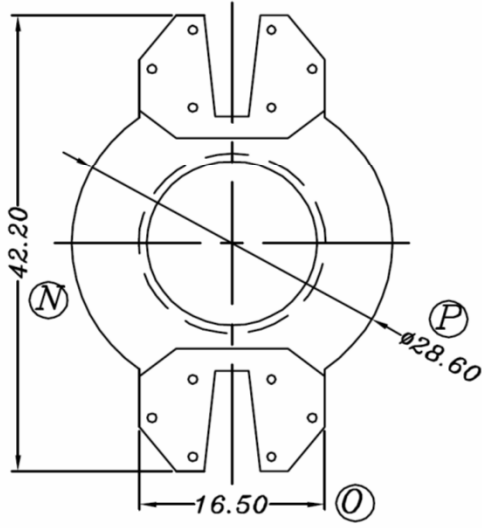
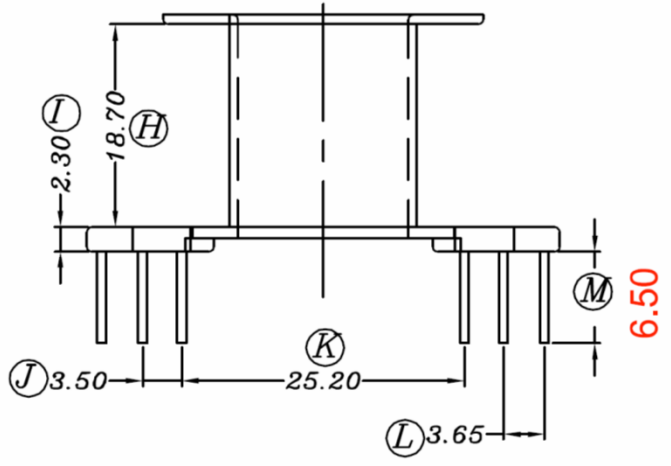
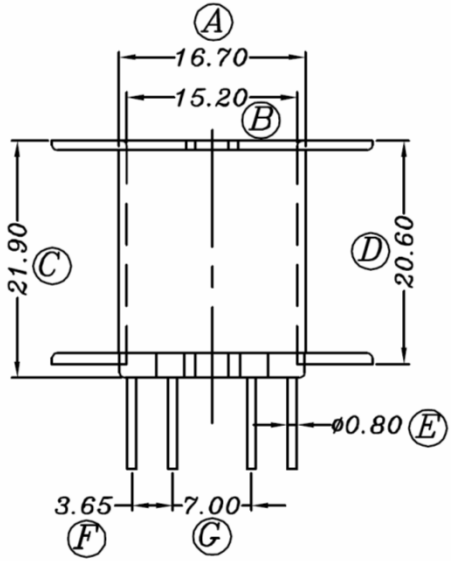


BRM14-1112CP-W-P6.5

Revisions			



Dimensions in mm

Country of Origin: China	RoHS Certified: YES	UL Molder Certification: E315110
Bobbin Material: Sumitomo PM9630	Drawing Number: BRM14-1112CP-W-P6.5	
UL File: E41429	UL Rec: 94-V0	PY-1402A-W-P6.5
Pin Material: Steel Wire		Pin Tension: 1.0Kgm min
Pin Plating: CuSn (~2%Cu)		Part Number: BRM14-1112CP-W-P6.5
MH&W International Corp Phone 201-891-8800 Email: sales@mhw-intl.com		