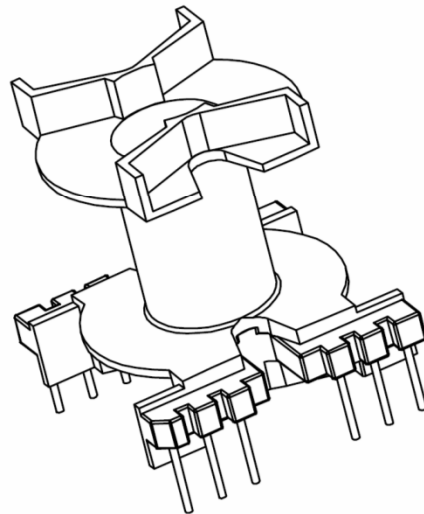
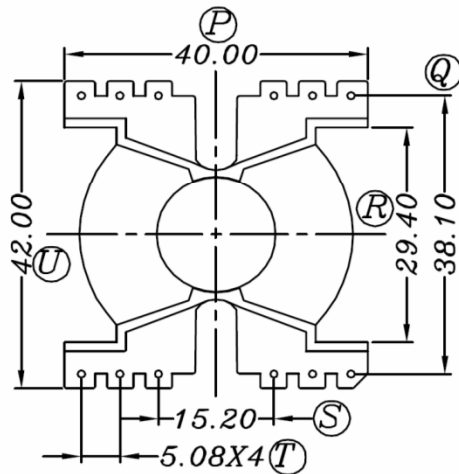
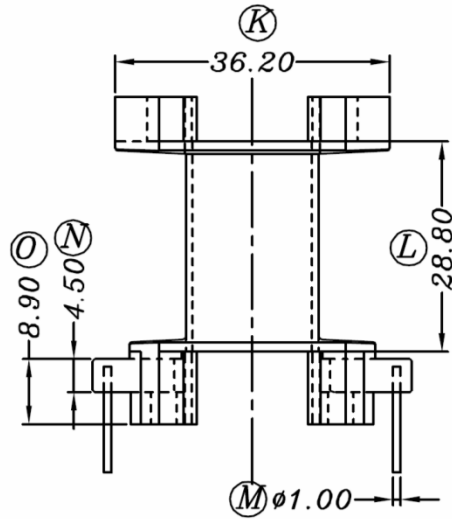
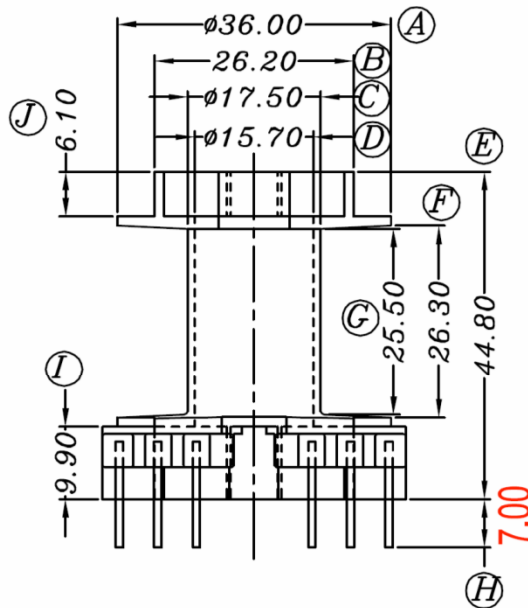


# BPQ40/40-1112CP-W-P7.0

Revisions



Dimensions in mm

Country of Origin: China	RoHS Certified: YES	UL Molder Certification: E315110
Bobbin Material: Sumitomo PM9630		Drawing Number: BPQ40_40-1112CP-W-P7.0
UL File: E41429	UL Rec: 94-V0	PY-4010A-W-P7.0
MH&W International Corp		Pin Material: Steel Wire
Phone 201-891-8800 Email: sales@mhw-intl.com		Pin Tension: 1.0Kgm min
		Pin Plating: CuSn (~2%Cu)
Part Number: BPQ40/40-1112CP-W-P7.0		