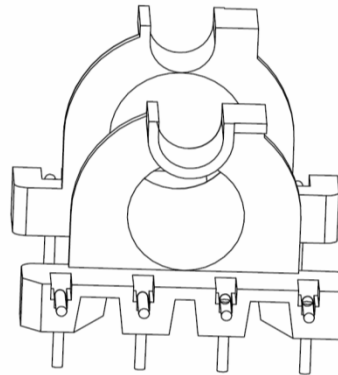
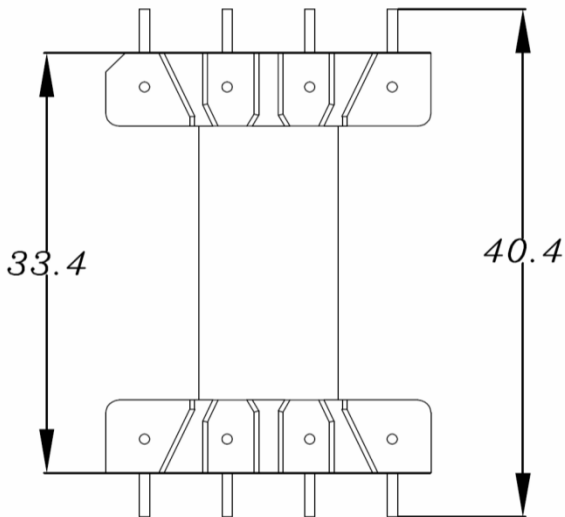
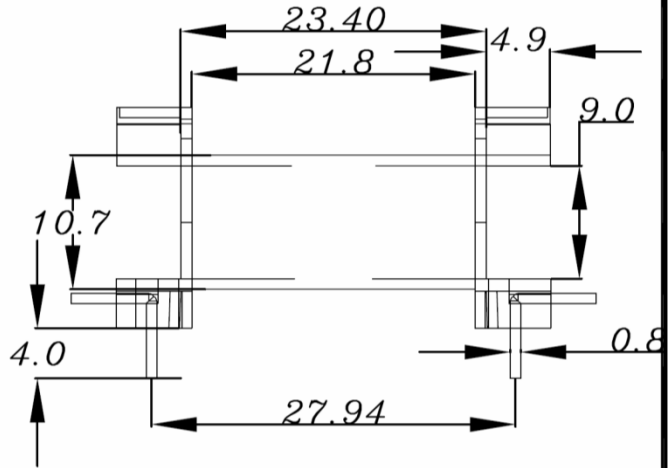
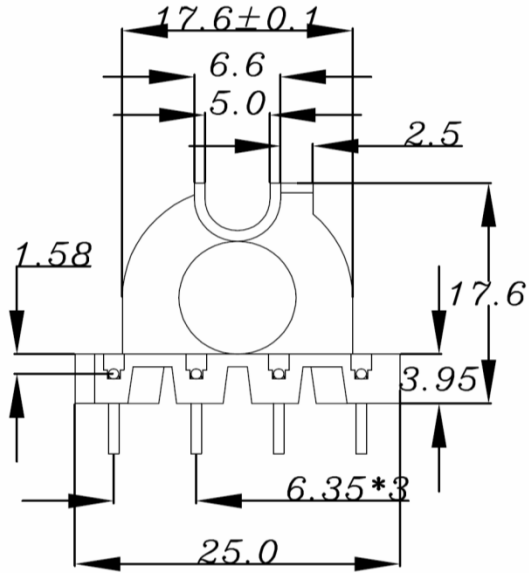


BLP32/13-018CPH-W

Revisions			



Replacement to TDK BLP32/13-018CPLFR

Dimensions in mm

Country of Origin: China | RoHS Certified: YES

UL Molder Certification: E315110

Bobbin Material: PPS R7 Phillips Chemical

Drawing Number: BLP32_13-018CPH-W

UL File: E233198 | UL Rec: 94-V0 | WS-53213

Pin Material: Steel Wire (CP)

MH&W International Corp

Pin Tension: 1.5Kgm min | **Pin Plating: CuSn (~2%Cu)**

Phone 201-891-8800 | Email: sales@mhw-intl.com

Part Number: BLP32/13-018CPH-W