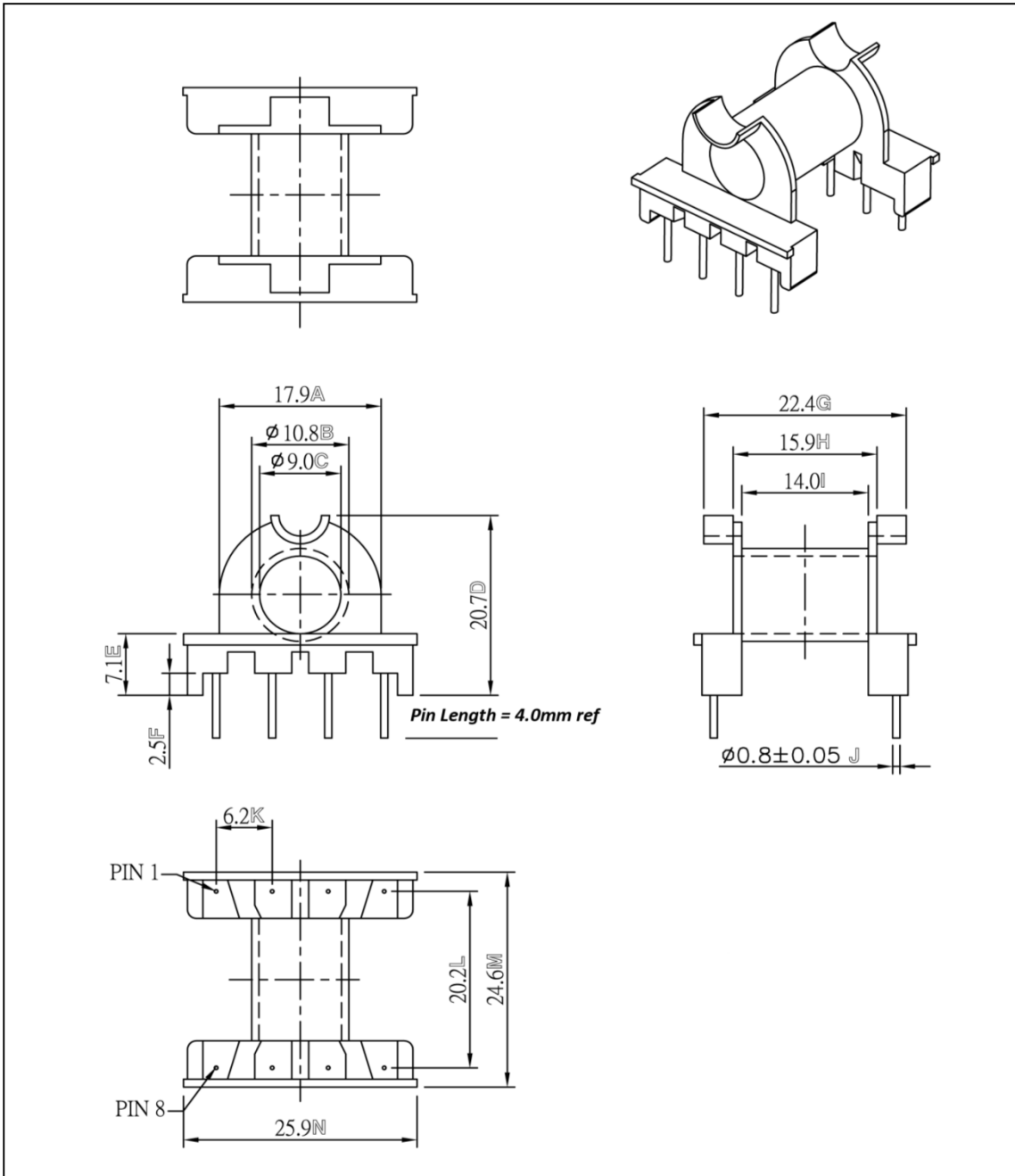


# BLP22/13-118CPH-S-P4.0

Revisions			



Dimensions in mm

Country of Origin: China	RoHS Certified: YES	UL Molder Certification: E149570
Bobbin Material: Chang Chung Plastics T375HF		Drawing Number: BLP22_13-118CPH-S-P4.0
UL File: E59481	UL Rec: 94-V0	LP-2213-1
Pin Material: Steel Wire (CP)		Pin Tension: 1.5Kgm min
Finish: Sn		Part Number: BLP22/13-118CPH-S-P4.0
<b>MH&amp;W International Corp</b> Phone 201-891-8800 Email: sales@mhw-intl.com		