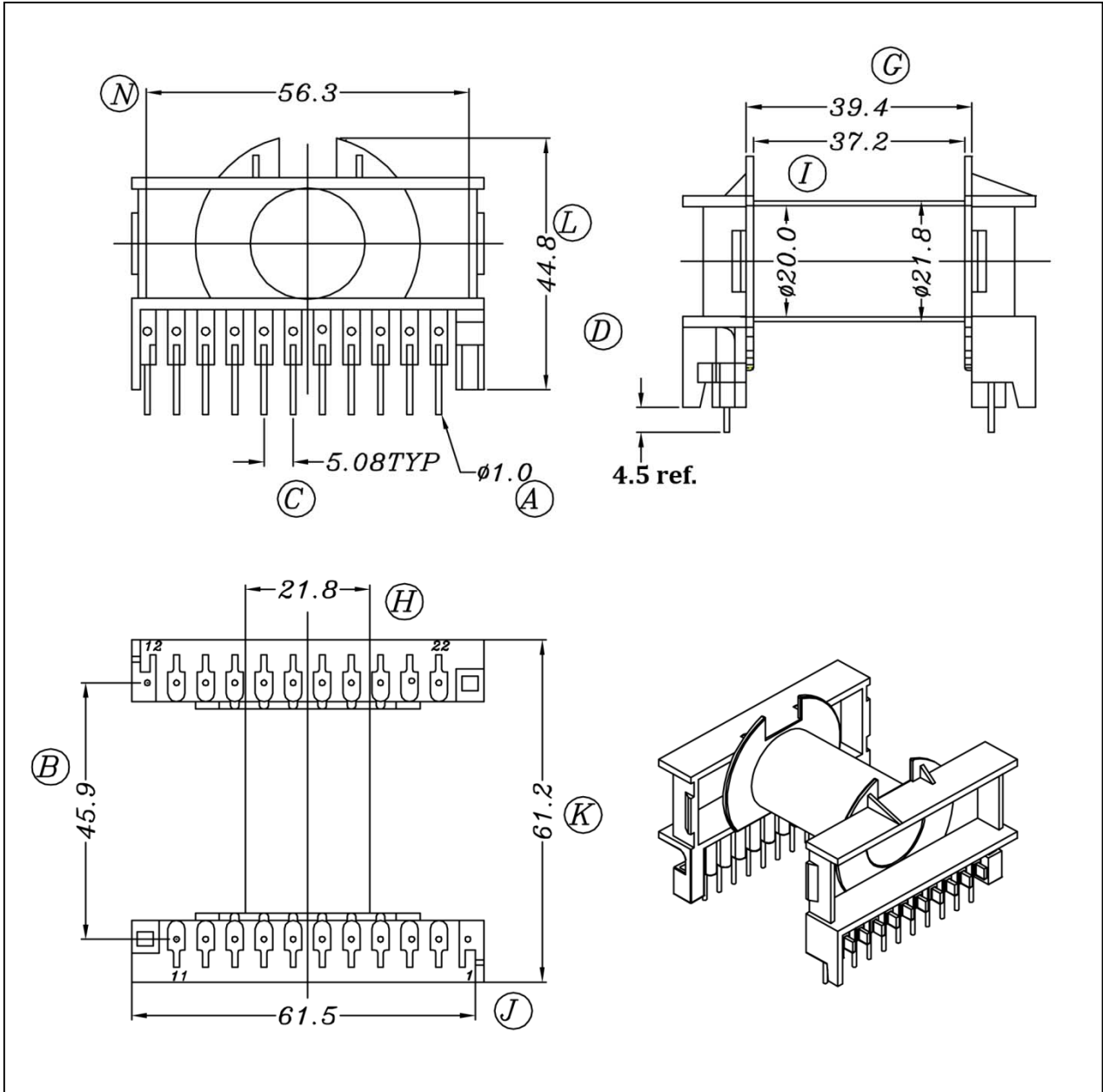


# BETD54-8122CP-W-P4.5

Revisions	



Used with FETD54-WS-60309 - two (2) each

Dimensions in mm

Country of Origin: China	RoHS Certified: YES	UL Molder Certification: E315110
Bobbin Material: E. I. DUPONT FR530	Drawing Number: BETD54-8122CP-W-P4.5	
UL File: E69578	UL Rec: 94-V0	WS-55402-P4.5
Pin Material: Steel Wire		Pin Tension: 1.0Kgm min
Pin Plating: CuSn (~2%Cu)		Part Number: BETD54-8122CP-W-P4.5

**MH&W International Corp**  
 Phone 201-891-8800 Email: sales@mhw-intl.com