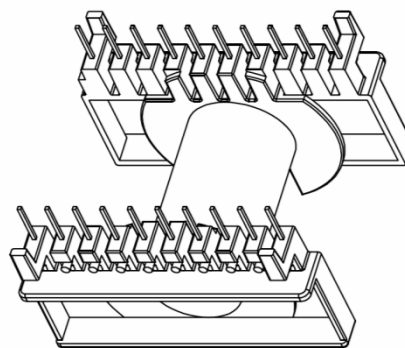
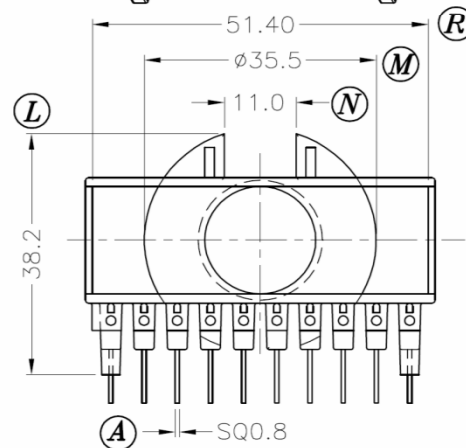
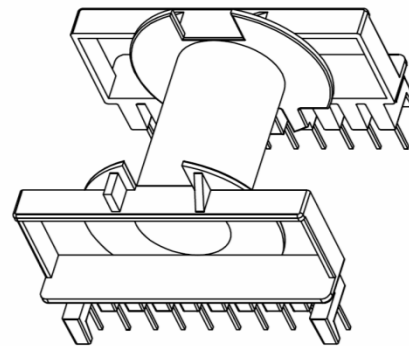
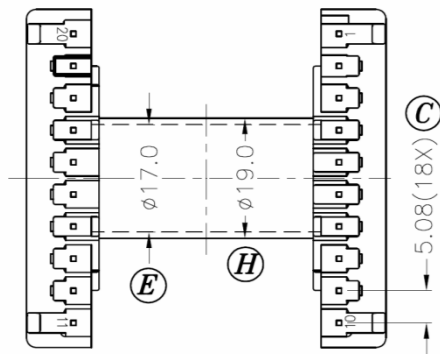
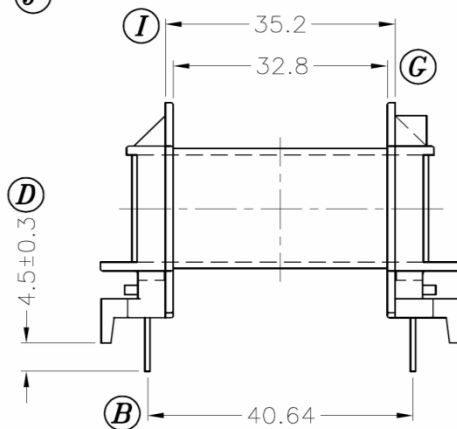
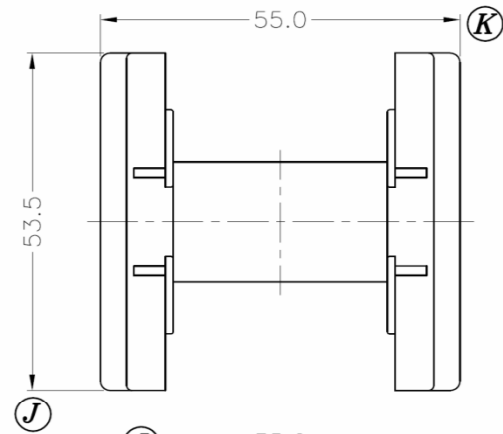


BETD49-8120CPH-P-P4.5

Revisions



Dimensions in mm

Country of Origin: China	RoHS Certified: YES	UL Molder Certification: E163831
Bobbin Material: PET	E.I. Dupont FR530	Drawing Number: BETD49-8120CPH-P-P4.5
UL File: E41938	UL Rec: 94-V0	P-4902
MH&W International Corp		Pin Tension: 2.0 Kgm min
Phone 201-891-8800 Email: sales@mhw-intl.com		Finish: Sn
Part Number: BETD49-8120CPH-P-P4.5		