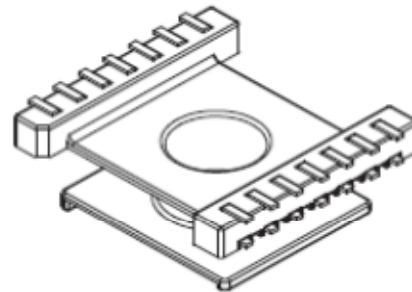
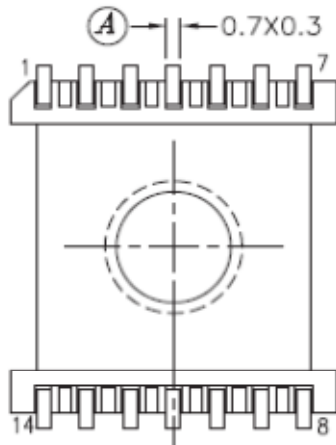
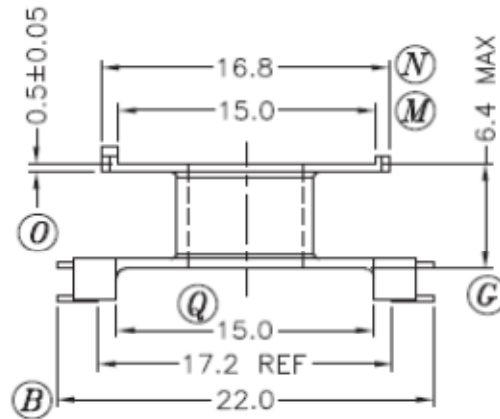
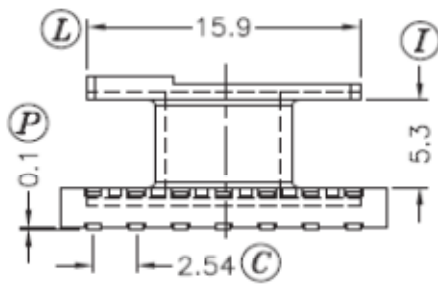
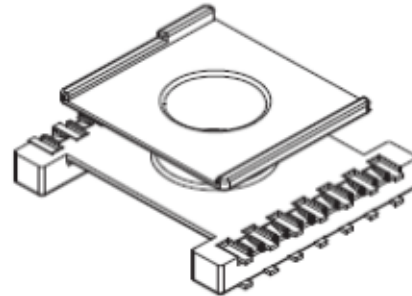
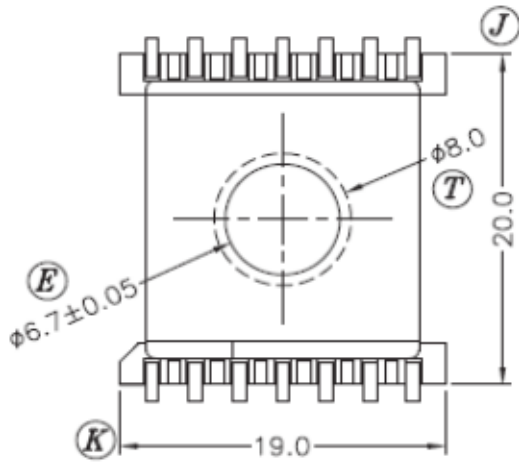


BER18.6-1114UDS-P

Revisions



Dimensions in mm

Country of Origin: China | RoHS Certified: YES

Bobbin Material: Sumitomo PM9630

UL File: E41429 | UL Rec: 94-V0 | S-1801

MH&W International Corp

Phone 201-891-8800 | Email: sales@mhw-intl.com

Drawing Number: BER18.6-1114UDS-P

Pin Material: PHOSPHOR BRONZE (DS)

Pin Tension: 2.0 Kgm min | Finish: TIN

Part Number: BER18.6-1114UDS-P