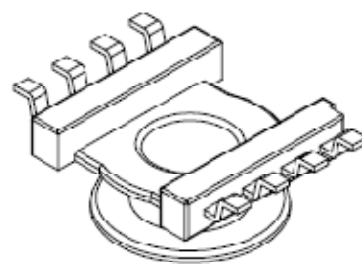
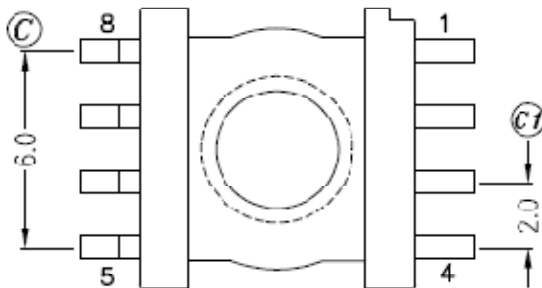
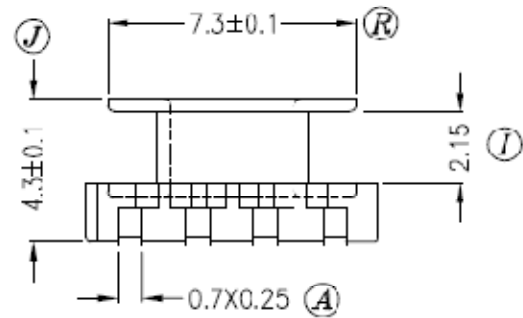
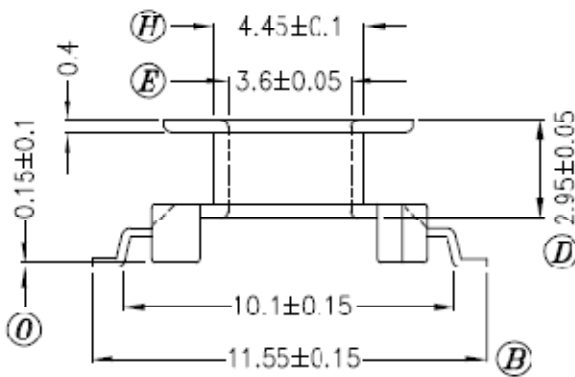
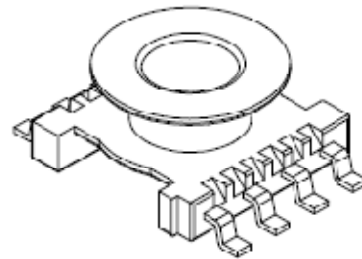
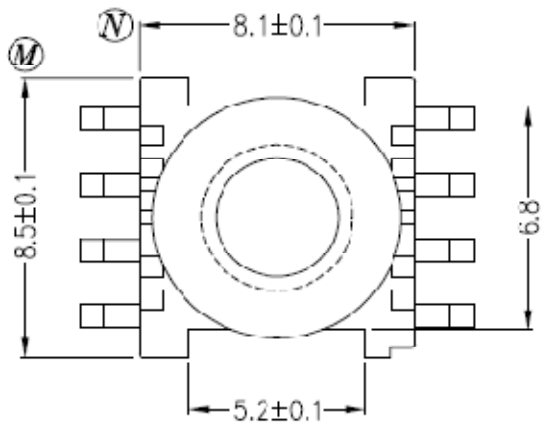


BER09.5/05-118GADS-P

Revisions	
1	Added country of origin & RoHS



Dimensions in mm

Country of Origin: China	RoHS Certified: YES		
Bobbin Material: Sumitomo PM9630		Drawing Number: BER09.5/05-118GADS-P-1	
UL File: E41429	UL Rec: 94-V0	S-900-1	Pin Material: Phosphor Bronze (DS)
MH&W International Corp 201-891-8800 Email: sales@mhw-intl.com		Phone	Pin Tension: 1.0Kgm min
			Finish: e3 (JEDEC)
		Part Number: BER09.5/05-118GADS-P	