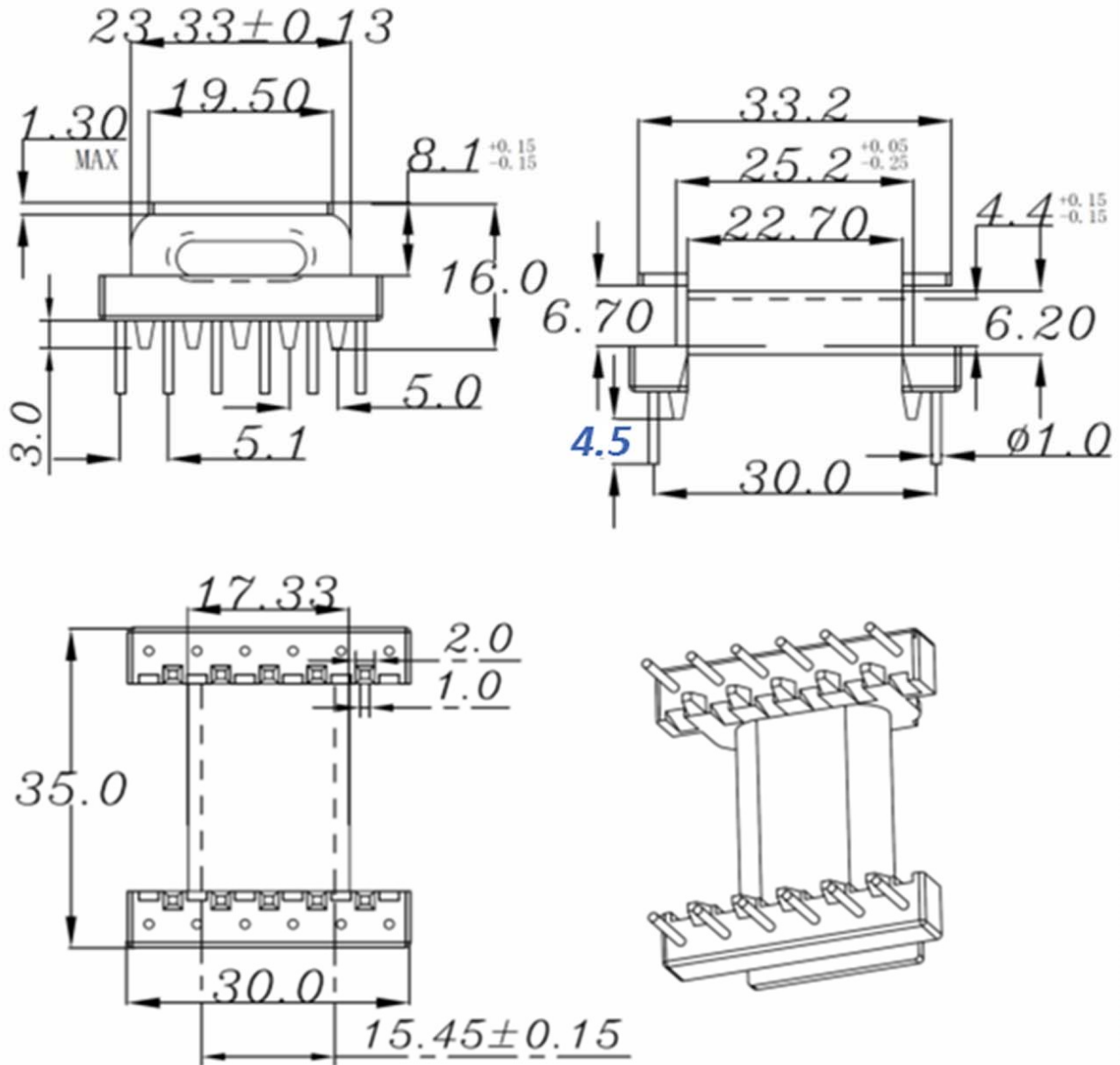


# BEPC30-1112CPH-W-P4.5

Revisions			



Replacement to TDK BEPC30-1112CPHFR		Dimensions in mm	
Country of Origin: China	RoHS Certified: YES	UL Molder Certification: E315110	
Bobbin Material: Sumitomo PM9630		Drawing Number: BEPC30-1112CPH-W-P4.5	
UL File: E41429	UL Rec: 94-V0	WS-53035-P4.5	Pin Material: Steel Wire (CP)
MH&W International Corp Phone 201-891-8800 Email: sales@mhw-intl.com		Pin Tension: 1.5Kgm min	Pin Plating: CuSn (~2%Cu)
		Part Number: BEPC30-1112CPH-W-P4.5	