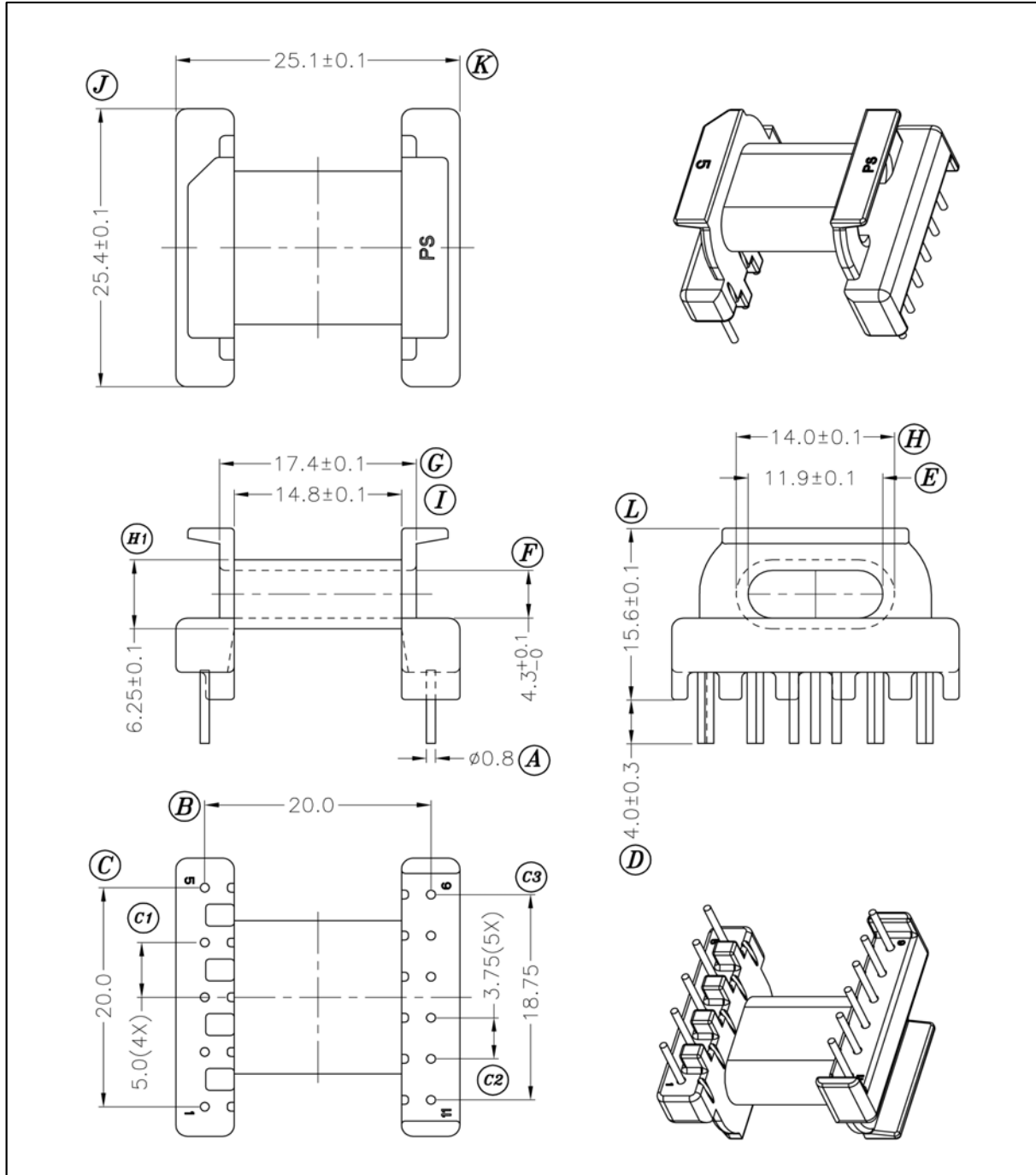


# BEPC25-1111CPH-P

Revisions	
1	Added country of origin & RoHS



Dimensions in mm

Country of Origin: China	RoHS Certified: YES		
Bobbin Material: CHANG CHUN PLASTICS T375J		Drawing Number: BEPC25-1111CPH-P-1	
UL File: E59481	UL Rec: 94-V0	P-2523-1	Pin Material: Steel Wire (CP)
MH&W International Corp		Phone	Pin Tension: 1.0Kgm min
201-891-8800		Email: sales@mhw-intl.com	Finish: e3 (JEDEC)
			Part Number: BEPC25-1111CPH-P