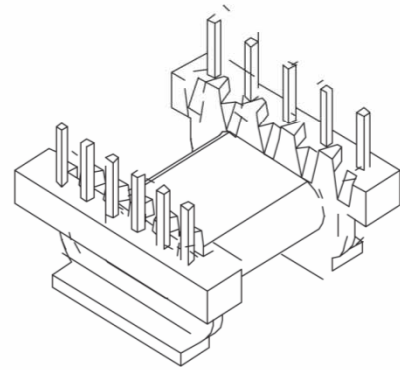
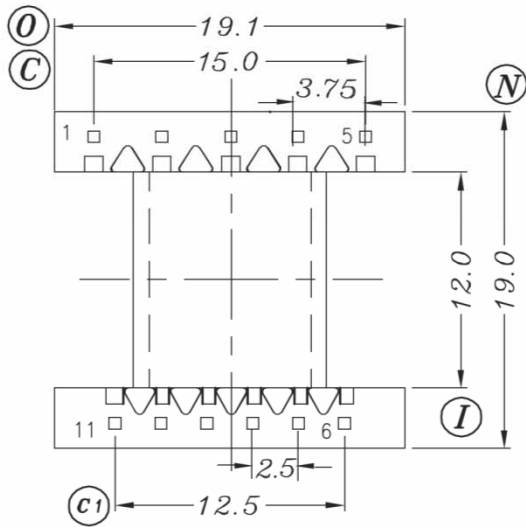
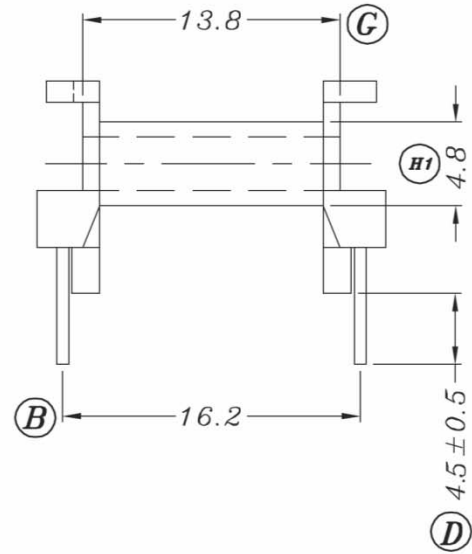
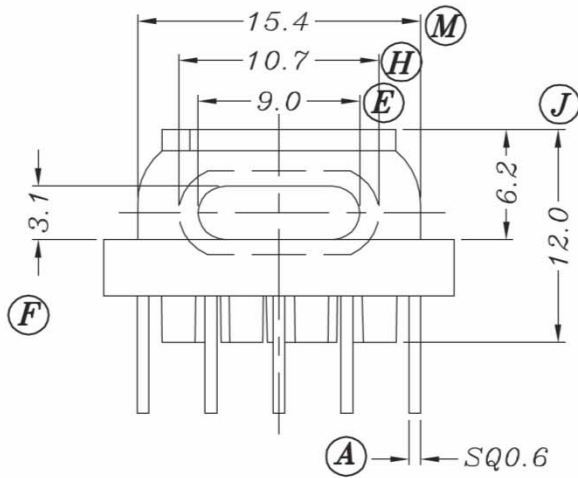


BEPC19-1111CPH-W-P4.5

Revisions			



Dimensions in mm

Country of Origin: China	RoHS Certified: YES	UL Molder Certification: E315110
Bobbin Material: Sumitomo PM9630	UL File: E41429	UL Rec: 94-V0
UL File: E41429	WS-51923-P4.5	Drawing Number: BEPC19-1111CPH-W-P4.5
MH&W International Corp		Pin Material: Steel Wire (CP)
Phone 201-891-8800 Email: sales@mhw-intl.com		Pin Tension: 1.0Kgm min
		Pin Plating: CuSn (~2%Cu)
Part Number: BEPC19-1111CPH-W-P4.5		