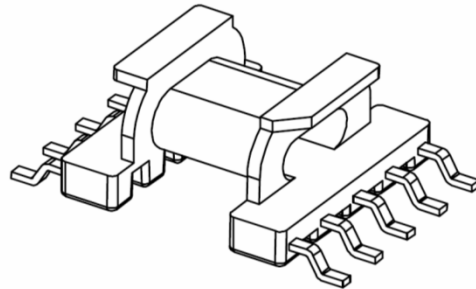
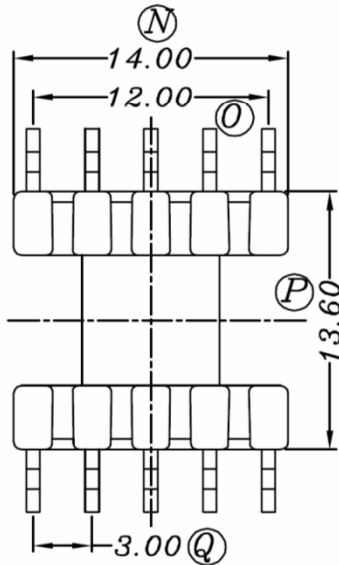
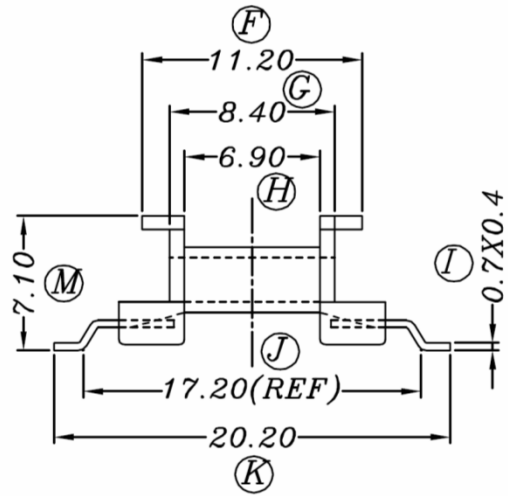
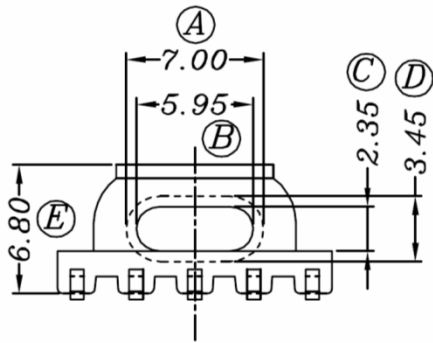


BEPC13-1110GACP-W

Revisions



Dimensions in mm

Country of Origin: China	RoHS Certified: YES	UL Molder Certification: E315110
Bobbin Material: Sumitomo PM9630	Drawing Number: BEPC13-1110GACP-W	
UL File: E41429	UL Rec: 94-V0	WS-71305
Pin Material: Steel Wire (CP)		Pin Tension: 1.0Kgm min
Pin Plating: Sn		Part Number: BEPC13-1110GACP-W

MH&W International Corp Phone
201-891-8800 Email: sales@mhw-intl.com