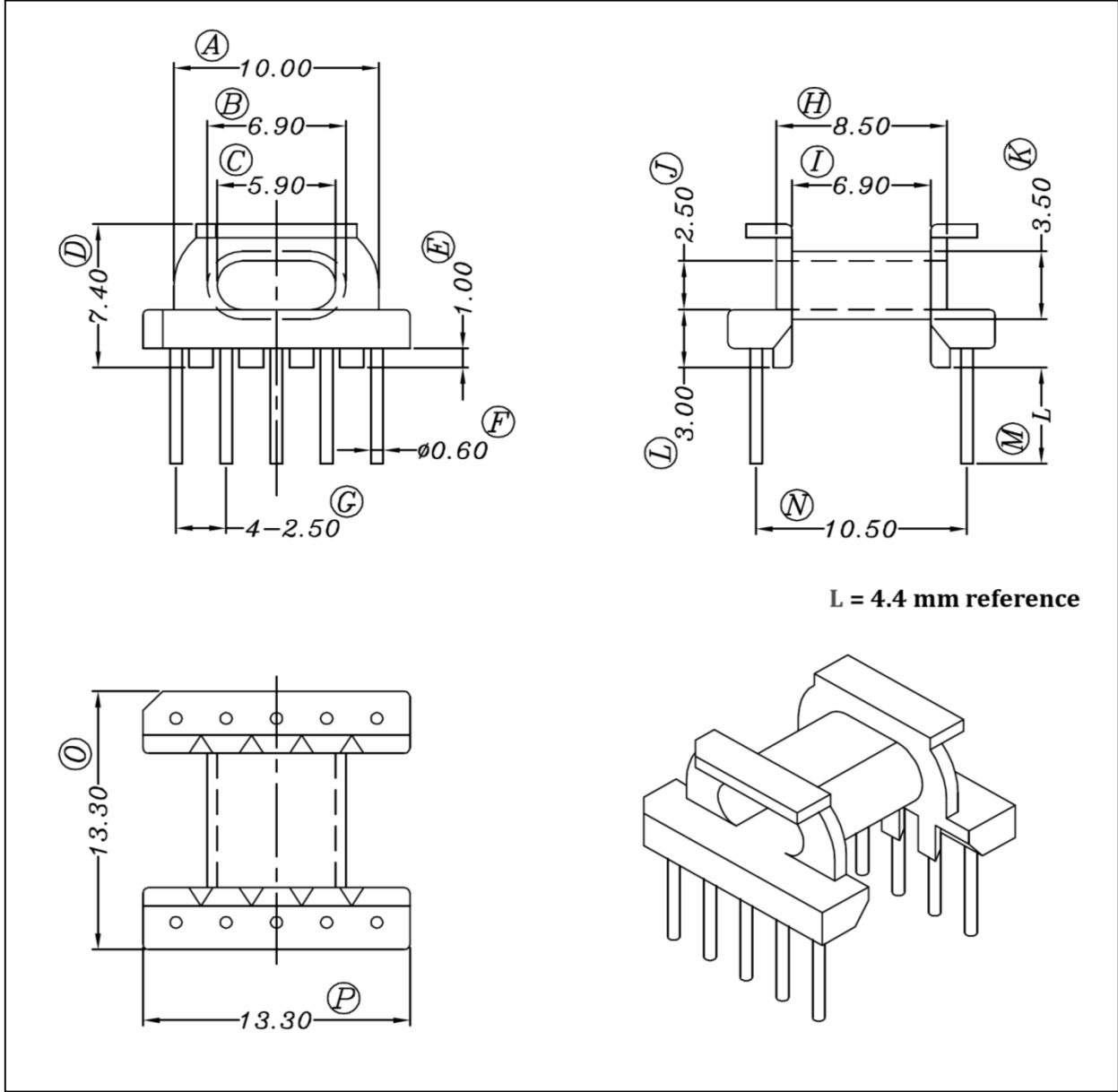


BEPC13-1110CP-W-P4.4-V1

Revisions	
V1	Plating: Sn (100%)
V2	Plating: CuSn (~2% Cu)



Dimensions in mm

Country of Origin: China	RoHS Certified: YES	UL Molder Certification: E315110
Bobbin Material: Sumitomo PM9630		Drawing Number: BEPC13-1110CP-W-P4.4-V1
UL File: E41429	UL Rec: 94-V0	PY-1311-W-P4.4-V1
MH&W International Corp		Pin Tension: 1.0Kgm min
Phone 201-891-8800 Email: sales@mhw-intl.com		Pin Plating: Sn
Part Number: BEPC13-1110CP-W-P4.4-V1		