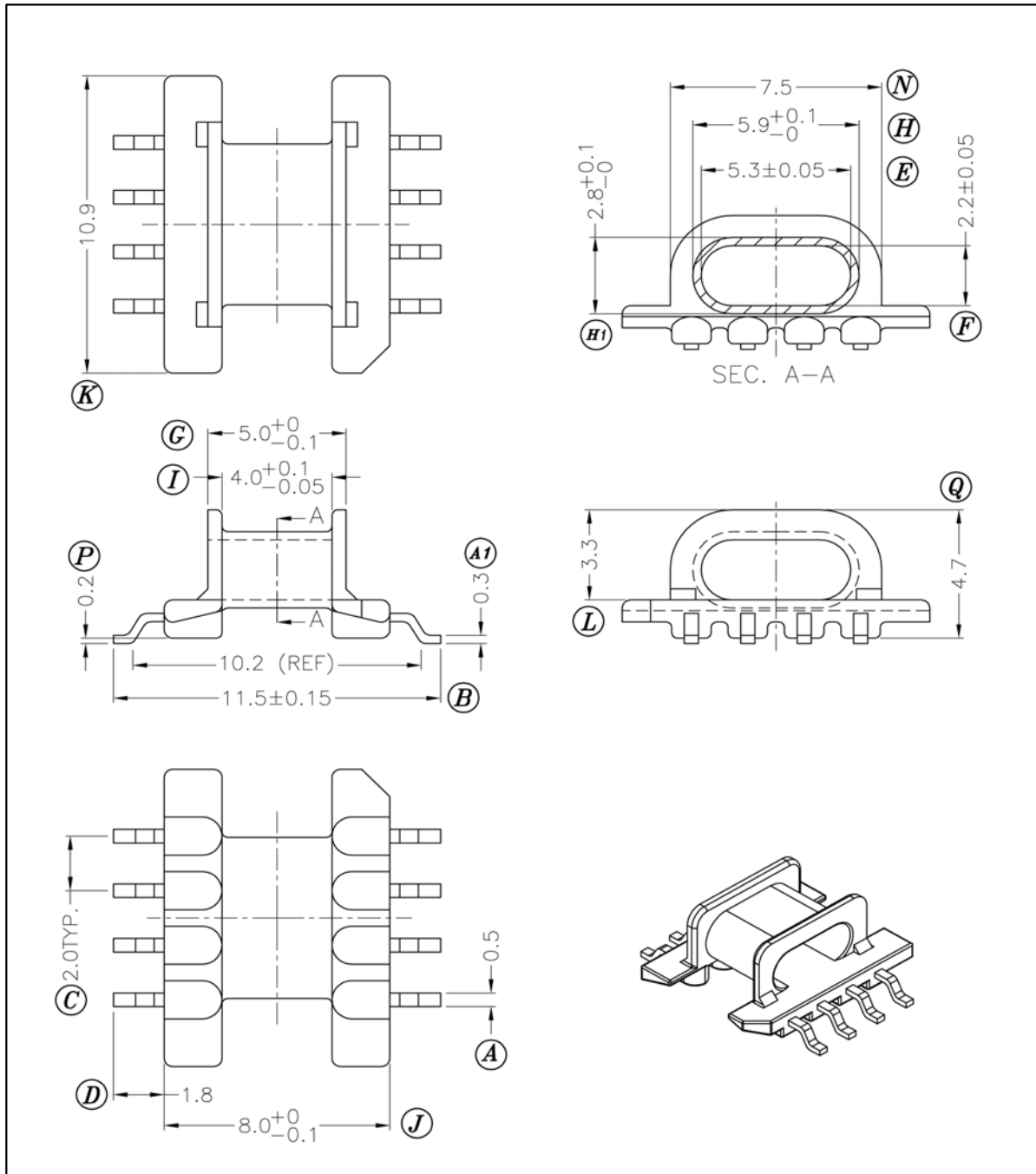


# BEPC10-118GADS-P

Revisions	
1	Added country of origin & RoHS



Dimensions in mm

Country of Origin: China		RoHS Certified: YES	
Bobbin Material: Sumitomo PM9630		Drawing Number: BEPC10-118GADS-P-1	
UL File: E41429	UL Rec: 94-V0	S-1003	Pin Material: Phosphor Bronze (DS)
MH&W International Corp		Phone	Pin Tension: 1.5Kgm min
201-891-8800		Email: sales@mhw-intl.com	Finish: e3 (JEDEC)
Part Number: BEPC10-118GADS-P			