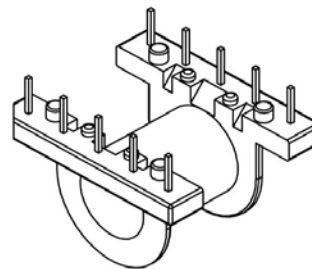
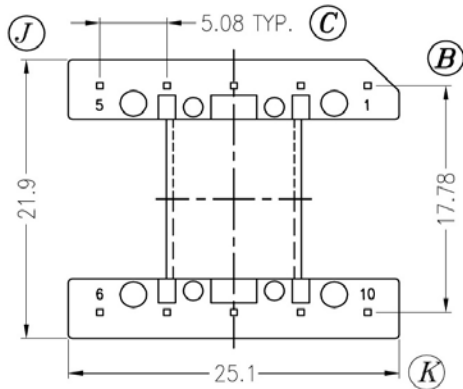
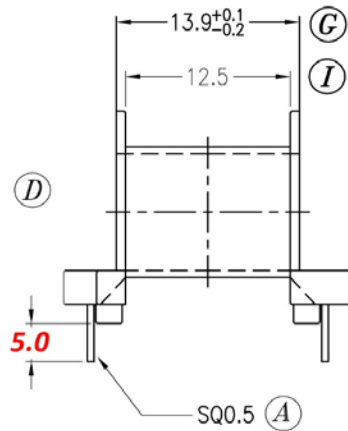
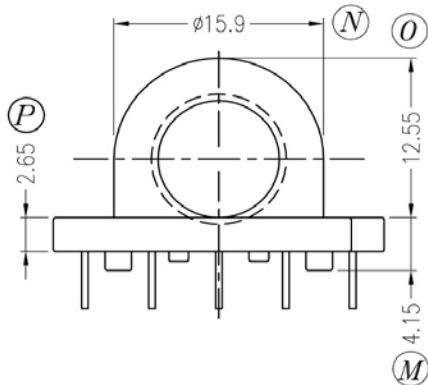
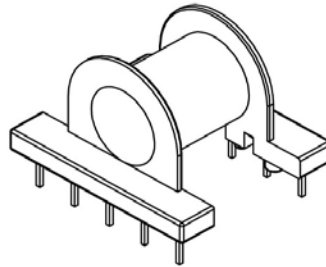
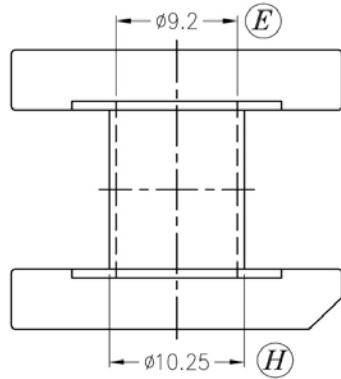


# BEP20-1110CP-P-P5.0

Revisions			



Dimensions in mm

Country of Origin: China	RoHS Certified: YES	Molder UL File Number: E163831
Bobbin Material: Sumitomo PM9630		Drawing Number: BEP20-1110CP-P-P5.0
UL File: E41429	UL Rec: 94-V0	P-2016-P5.0
Pin Material: Steel Wire (CP)		Pin Tension: 1.5Kgm min
Finish: Sn		Part Number: BEP20-1110CP-P-P5.0
MH&W International Corp Phone 201-891-8800 Email: sales@mhw-intl.com		