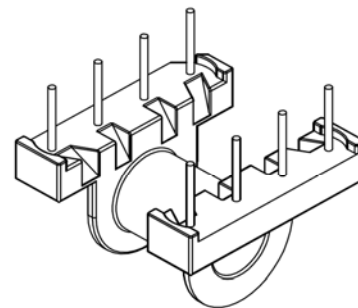
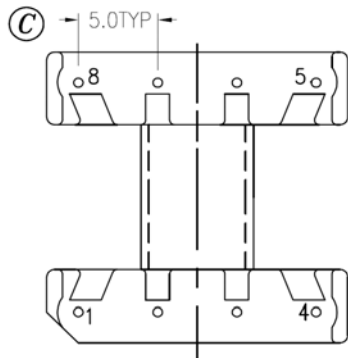
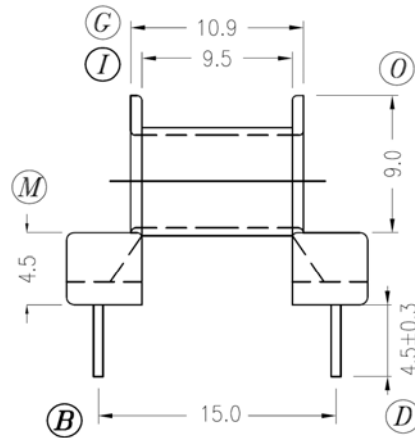
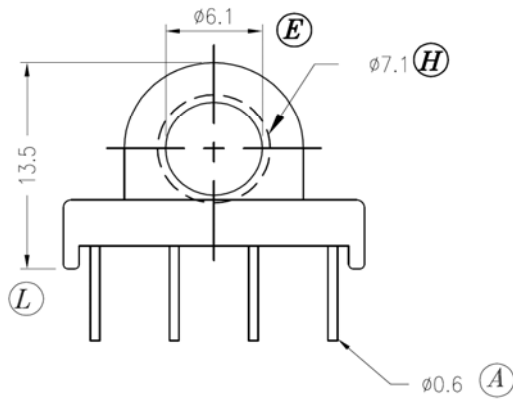
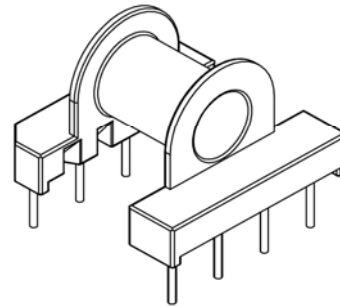
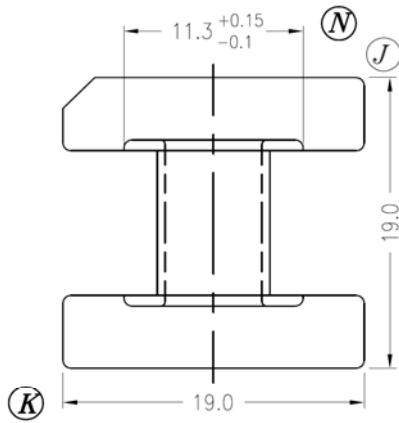


BEP17-118CP-P

--	--	--	--



Dimensions in mm

Country of Origin: China		RoHS Certified: YES	
Bobbin Material: Sumitomo PM9630		Drawing Number: BEP17-118CP-P	
UL File: E41429	UL Rec: 94-V0	P=1703	Pin Material: STEEL WIRE
MH&W International Corp		Pin Tension: 1.5Kgm min	Finish: e3 (JEDEC)
Phone 201-891-8800 Email: sales@mhw-intl.com		Part Number: BEP17-118CP-P	