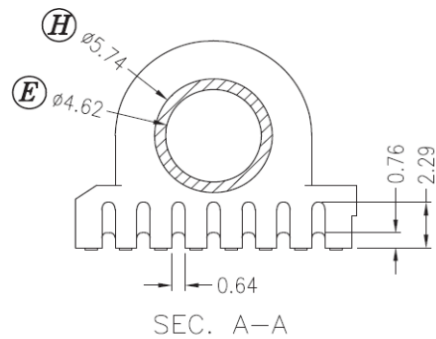
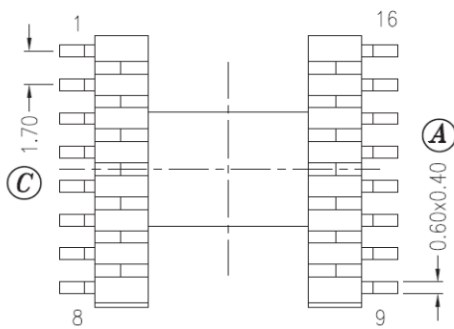
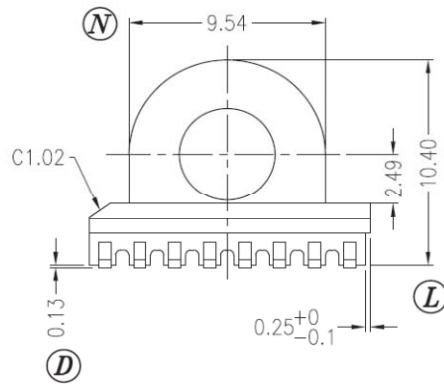
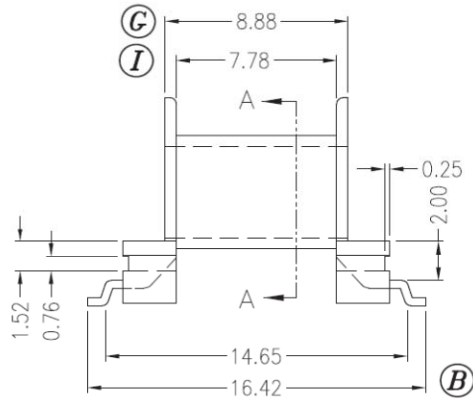
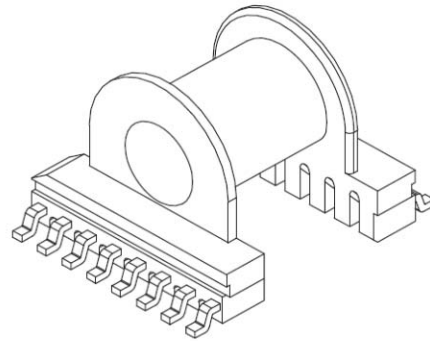
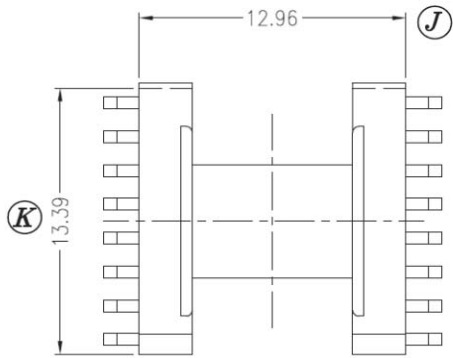


# BEP13-1116DS-P

--	--	--	--



Dimensions in mm

Country of Origin: China	RoHS Certified: YES
Bobbin Material: Sumitomo DAP AM113	
UL File: E41429	UL Rec: 94-V0
S-1315-1	
<b>MH&amp;W International Corp</b>	
Phone 201-891-8800 Email: sales@mhw-intl.com	

Drawing Number: BEP13-1116DS-P
Pin Material: Phosphor Bronze
Pin Tension: 1.5Kgm min
Finish: Tin
Part Number: BEP13-1116DS-P