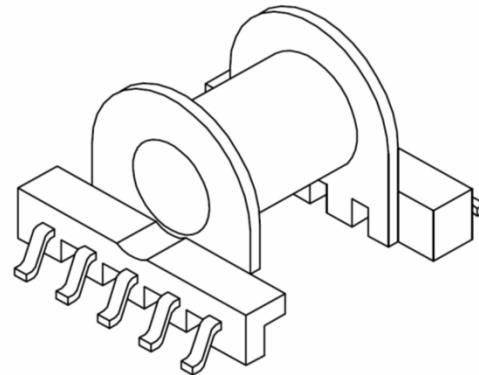
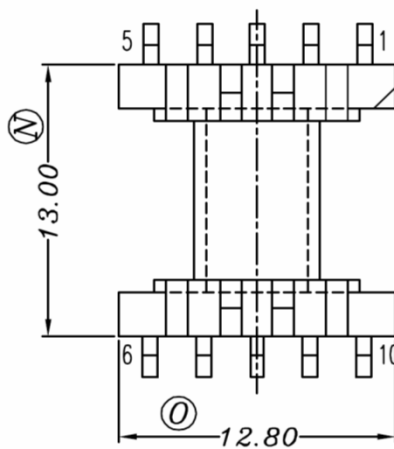
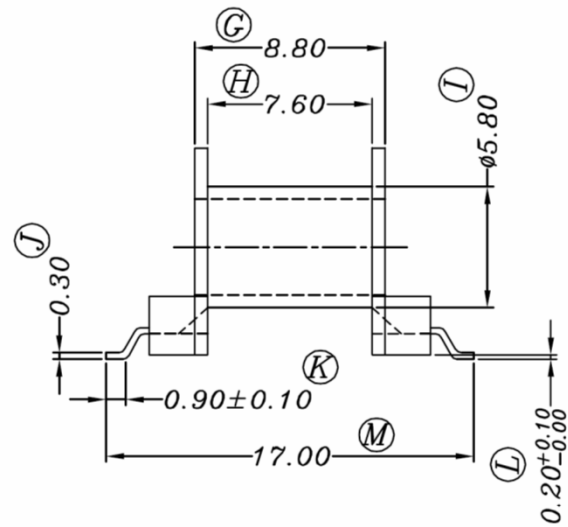
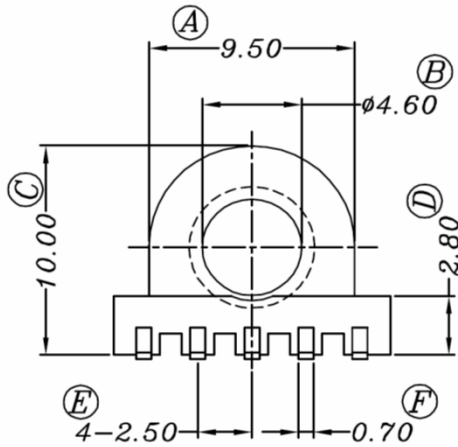


# BEP13-1110GADS-W

Revisions



Dimensions in mm

Country of Origin: China	RoHS Certified: YES	UL Molder Certification: E315110
Bobbin Material: Sumitomo PM9630		Drawing Number: BEP13-1110GADS-W
UL File: E41429	UL Rec: 94-V0	WS-71301
Pin Material: Phosphor Bronze		
Pin Tension: 1.0Kgm min		Pin Plating: Sn
Part Number: BEP13-1110GADS-W		

**MH&W International Corp**  
 201-891-8800 Email: sales@mhw-intl.com

Phone