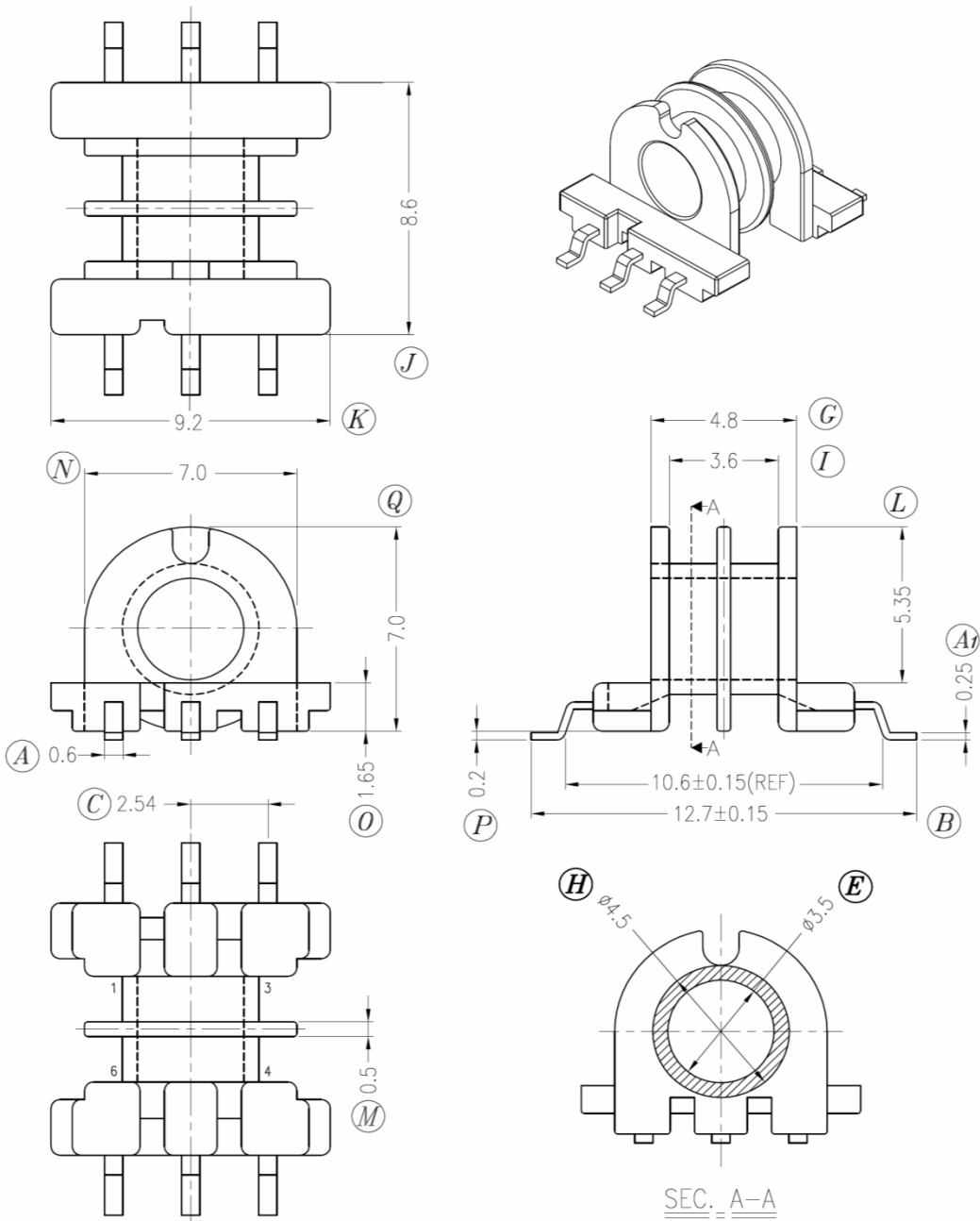


BEP07-L26GADS-P

--	--



Dimensions in mm

Country of Origin: China		RoHS Certified: YES	
Bobbin Material: Sumitomo E4008 (k) (LCP)		Drawing Number: BEP07-L26GADS-P	
UL File: E54705	UL Rec: 94-V0	S-702	Pin Material: Phosphor Bronze (DS)
MH&W International Corp		Pin Tension: 0.9 Kgm min	Finish: Tin
Phone 201-891-8800 Email: sales@mhw-intl.com		Part Number: BEP07-L26GADS-P	