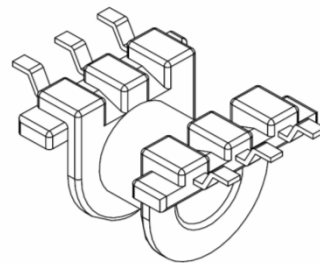
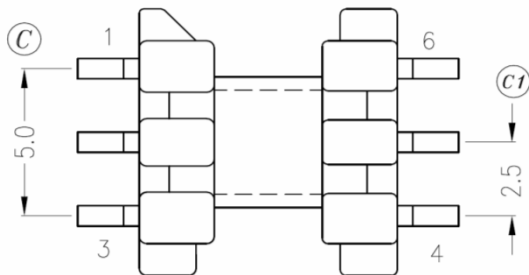
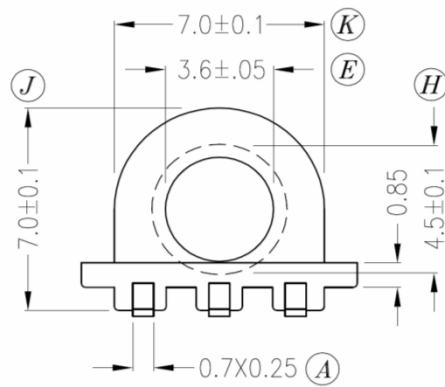
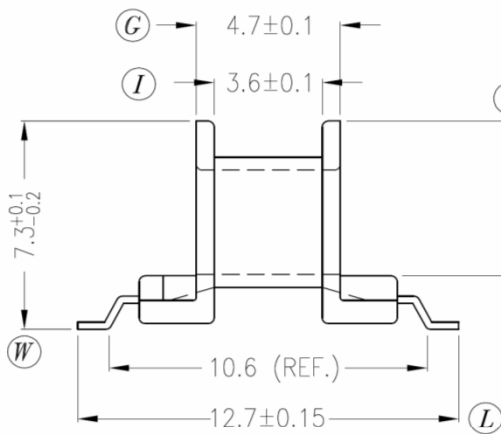
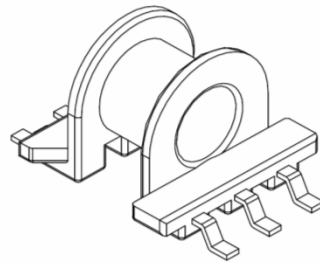
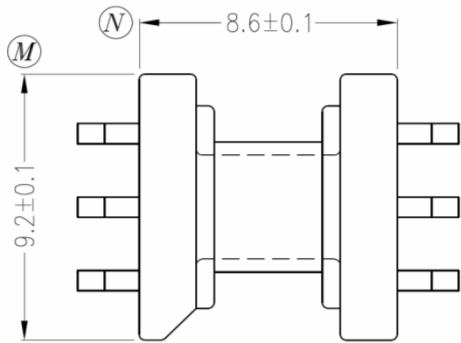


BEP07-L16GADS-P

--	--



Dimensions in mm

Country of Origin: China	RoHS Certified: YES	UL Molder Certification: E163831
Bobbin Material: Sumitomo E4008 (k) (LCP)		Drawing Number: BEP07-L16GADS-P
UL File: E54705	UL Rec: 94-V0	S-701-1
Pin Material: Phosphor Bronze (DS)		Pin Tension: 1.0Kgm min
Finish: Tin		Part Number: BEP07-L16GADS-P
MH&W International Corp Phone 201-891-8800 Email: sales@mhw-intl.com		