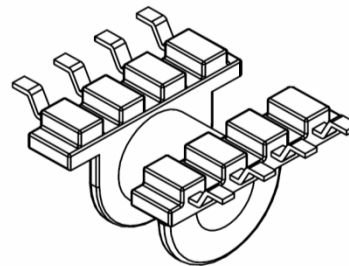
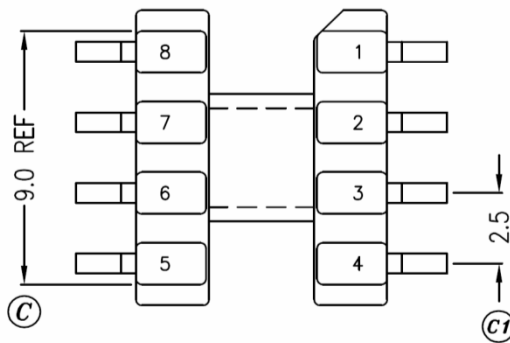
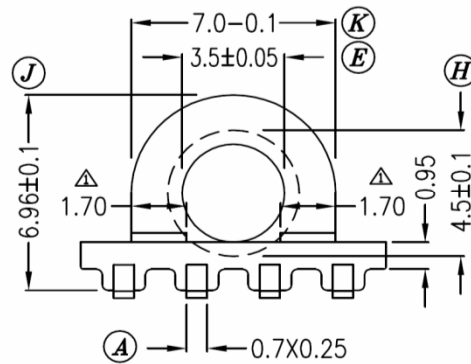
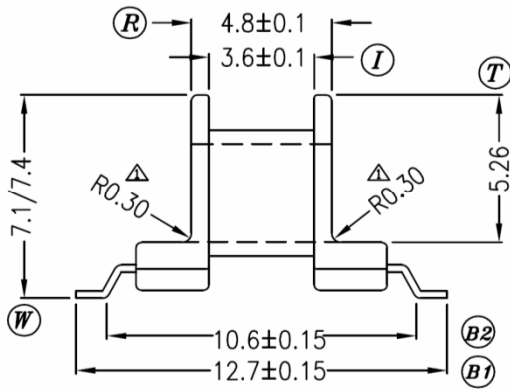
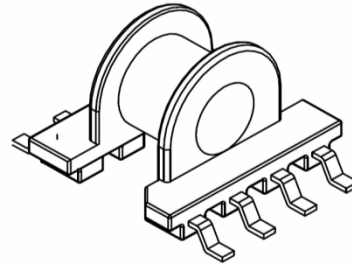
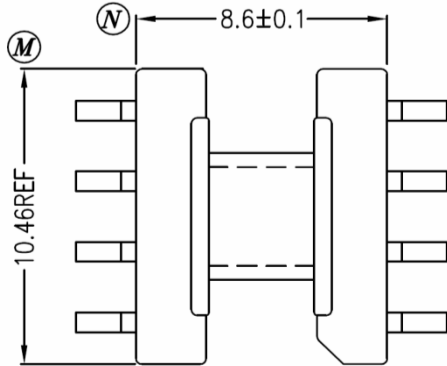


# BEP07-118GADS-P



Dimensions in mm

Country of Origin: China	RoHS Certified: YES	UL Molder Certification: E163831
Bobbin Material: Sumitomo PM9630		Drawing Number: BEP07-118GADS-P
UL File: E41429	UL Rec: 94-V0	S-708
Pin Material: Phosphor Bronze (DS)		Pin Tension: 1.0Kgm min
Finish: Tin		Part Number: BEP07-118GADS-P
<b>MH&amp;W International Corp</b> Phone 201-891-8800 Email: sales@mhw-intl.com		