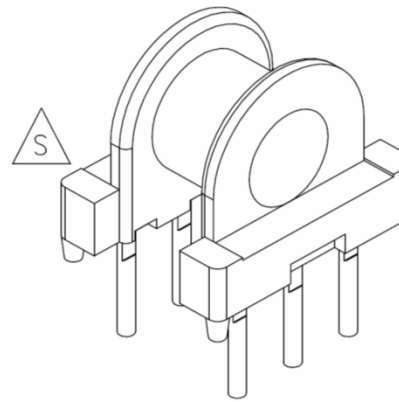
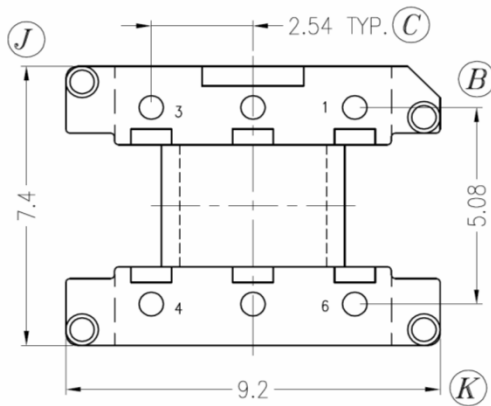
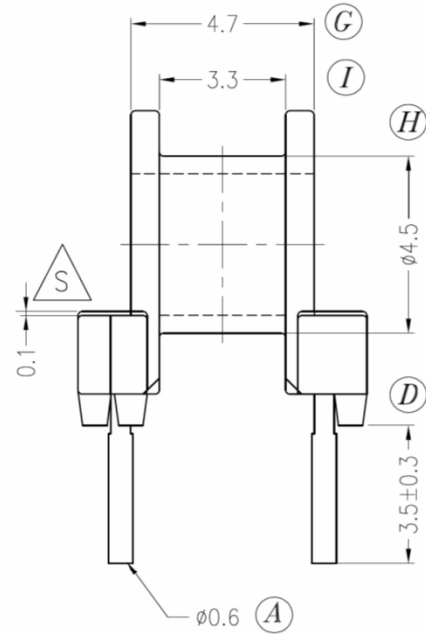
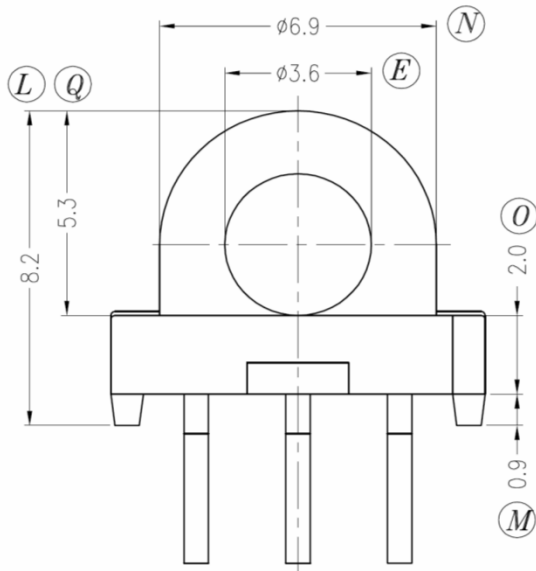


BEP07-116CP-P



Dimensions in mm

Country of Origin: China	RoHS Certified: YES	UL Molder Certification: E163831
Bobbin Material: Sumitomo PM9630		Drawing Number: BEP07-116CP-P
UL File: E41429	UL Rec: 94-V0	P-701
Pin Material: STEEL WIRE (CP)		Pin Tension: 0.7 Kgm min
Finish: Tin		Part Number: BEP07-116CP-P
MH&W International Corp Phone 201-891-8800 Email: sales@mhw-intl.com		