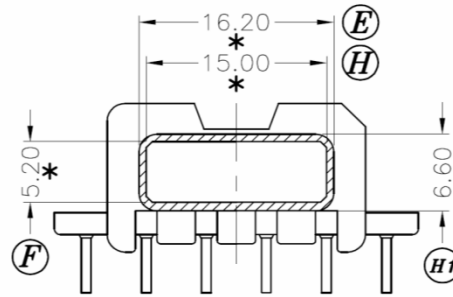
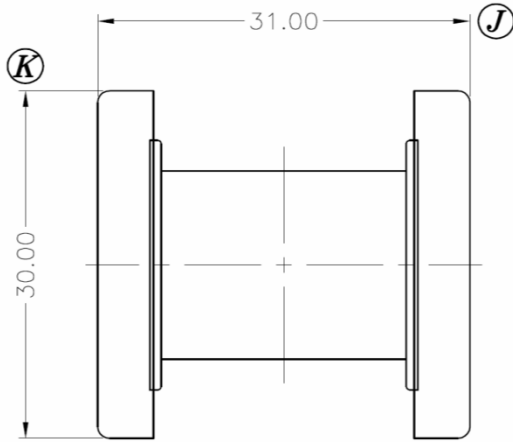


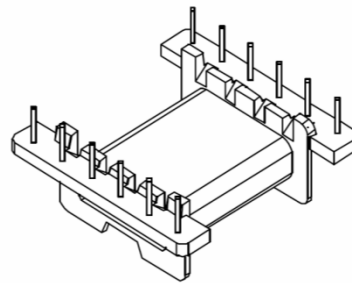
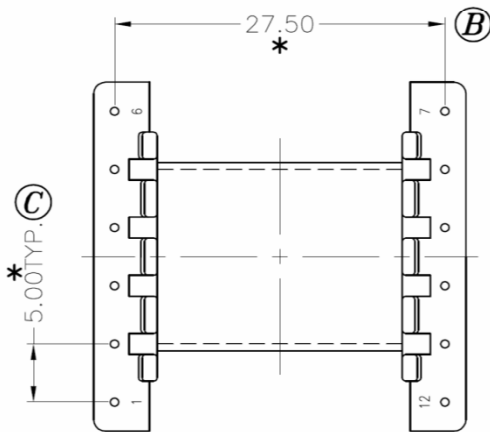
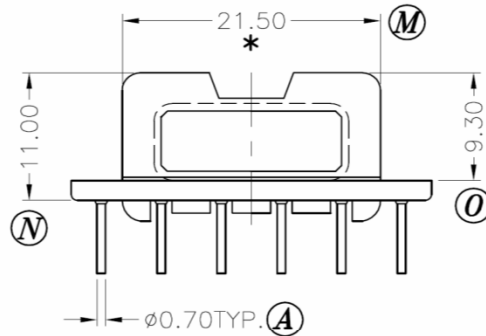
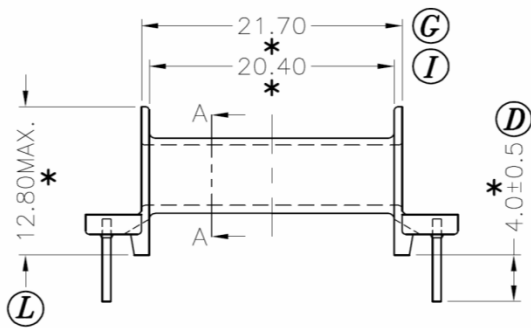
# BEFD30-1112CP-P-P4.0

Revisions

--	--	--	--



SEC.A-A



Inventory Number: P-3004-2-P4.0

Dimensions in mm

Country of Origin: China      RoHS Certified: YES

UL Molder Certification: E163831

Bobbin Material: Sumitomo PM9630

Drawing Number: BEFD30-1112CP-P-P4.0

UL File: E41429      UL Rec: 94-V0

Pin Material: Steel Wire (CP)

**MH&W International Corp**

Pin Tension: 1.5Kgm min      Finish: Sn 100%

Phone 201-891-8800      Email: sales@mhw-intl.com

Part Number: BEFD30-1112CP-P-P4.0