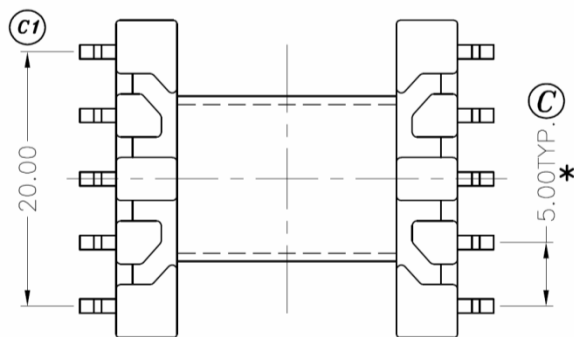
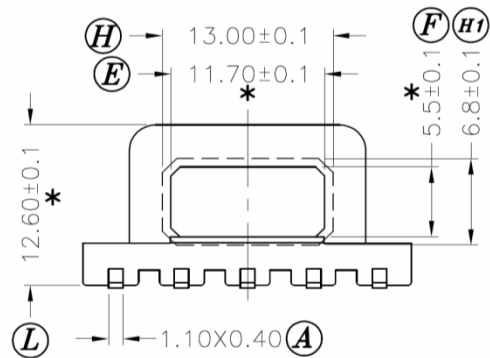
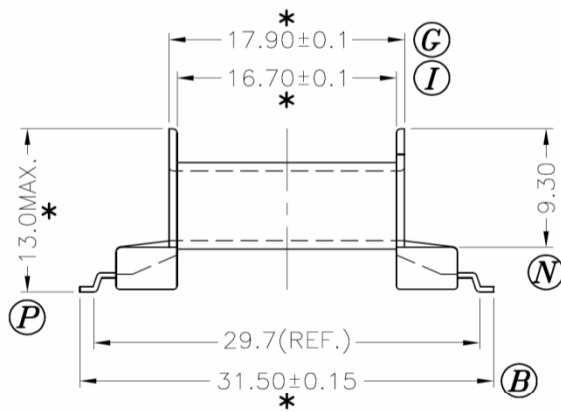
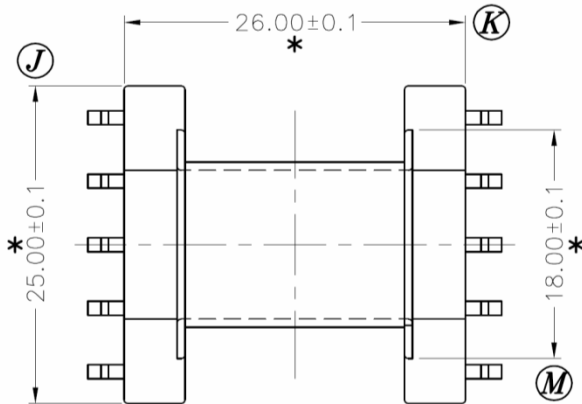


BEFD25-1110GADS-P

| Revisions | |
|-----------|--|
| | |



Dimensions in mm

| | | |
|--|-----------------------------------|----------------------------------|
| Country of Origin: China | RoHS Certified: YES | Molder UL Certification: E163831 |
| Bobbin Material: Sumitomo PM9630 | Drawing Number: BEFD25-1110GADS-P | |
| UL File: E41429 | UL Rec: 94-V0 | S-2501 |
| Pin Material: PHOSPHER BRONZE (DS) | | Pin Tension: 2.0 Kgm min |
| Finish: Sn | | Part Number: BEFD25-1110GADS-P |
| MH&W International Corp Phone 201-891-8800 Email: sales@mhw-intl.com | | |