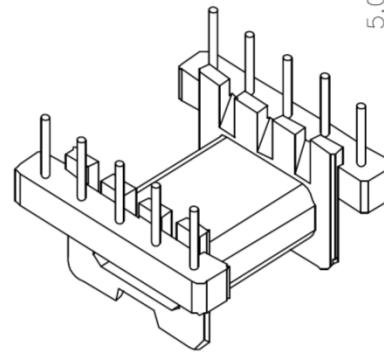
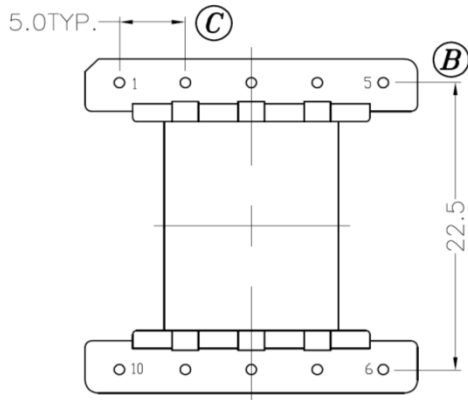
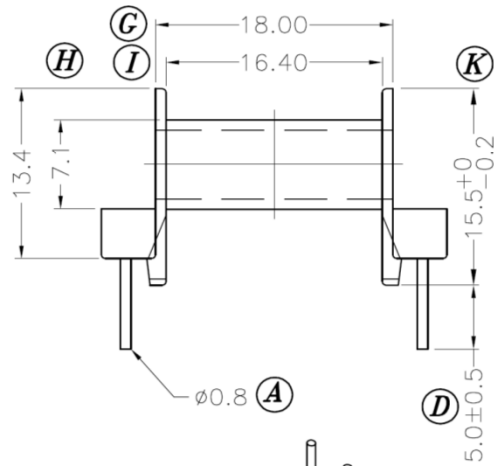
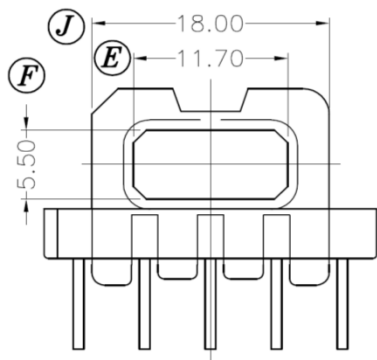
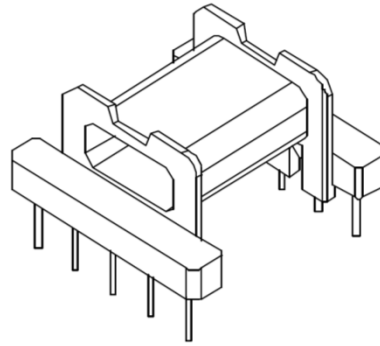
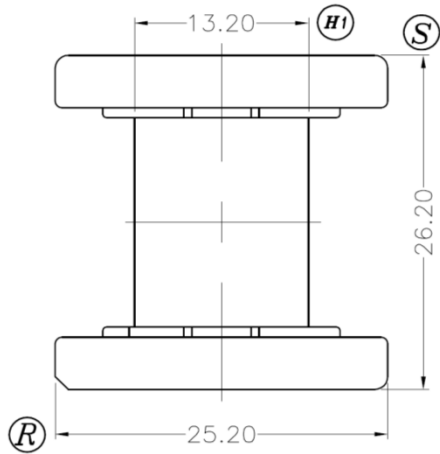


BEFD25-1110CP-P



Dimensions in mm

Country of Origin: China	RoHS Certified: YES	UL Molder Certification: E163831
Bobbin Material: Chang Shun Plastics T375J	Drawing Number: BEFD25-1110CP-P	
UL File: E59481	UL Rec: 94-V0	P-2512
Pin Material: Steel Wire (CP)		Pin Tension: 1.5Kgm min
Finish: Tin		Part Number: BEFD25-1110CP-P
MH&W International Corp Phone 201-891-8800 Email: sales@mhw-intl.com		