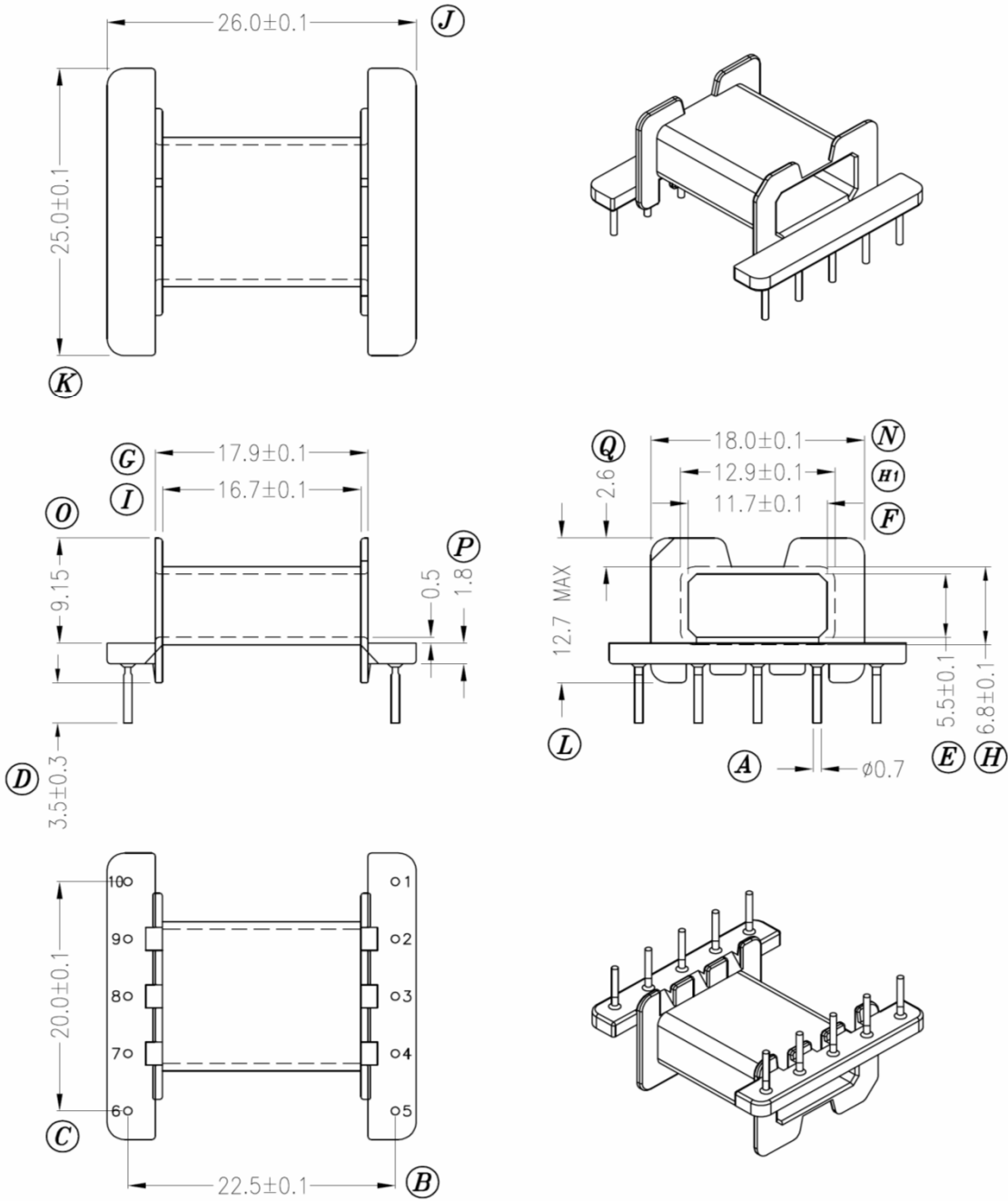


BEFD25-1110CP-P-P3.5

Revisions			



Inventory Number: P-2521-2-P3.5

Dimensions in mm

Country of Origin: China | RoHS Certified: YES

UL Molder Certification: E163831

Bobbin Material: Sumitomo PM9630

Drawing Number: BEFD25-1110CP-P-P3.5

UL File: E41429 | UL Rec: 94-V0

Pin Material: Steel Wire (CP)

MH&W International Corp

Pin Tension: 0.9Kgm min | Finish: Sn 100%

Phone 201-891-8800 | Email: sales@mhw-intl.com

Part Number: BEFD25-1110CP-P-P3.5